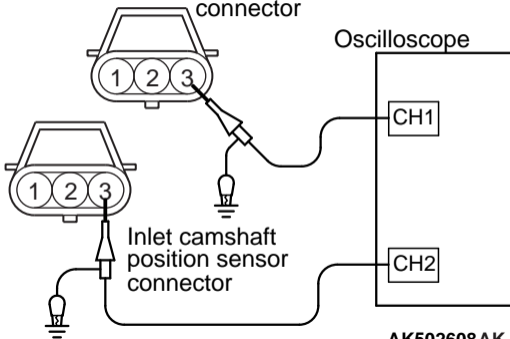


Crank angle sensor
connector

Oscilloscope



AK502608AK