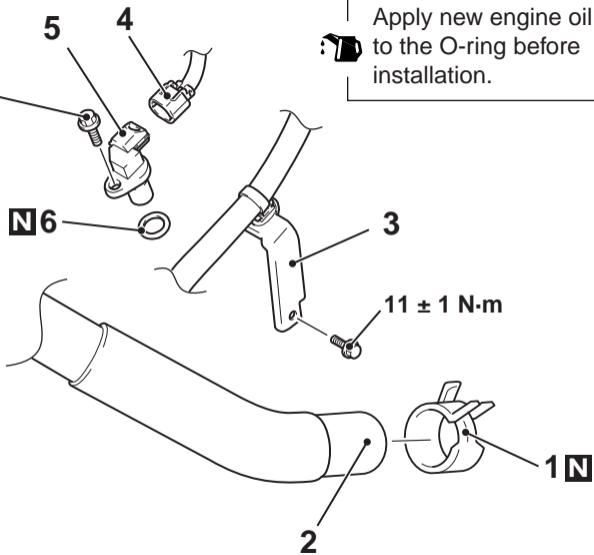



$9.5 \pm 2.5 \text{ N}\cdot\text{m}$



 Apply new engine oil to the O-ring before installation.