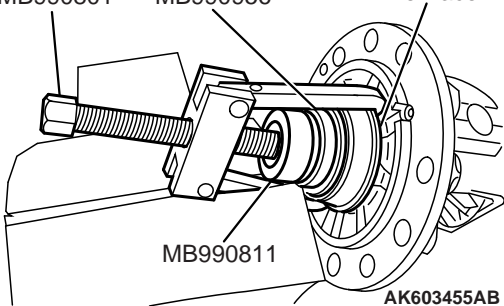


MB990801

MB990956

Inner race



MB990811

AK603455AB