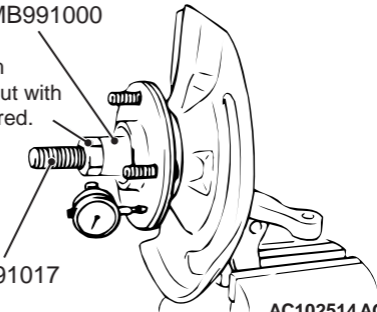


MB991000

250 ± 25 N·m

Tighten the nut with
the bolt secured.

MB991017



AC102514 AO