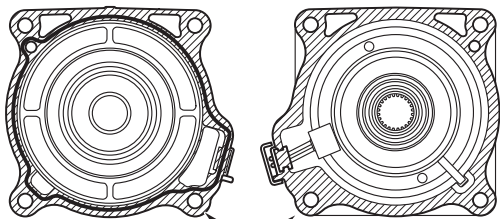
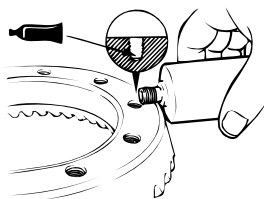
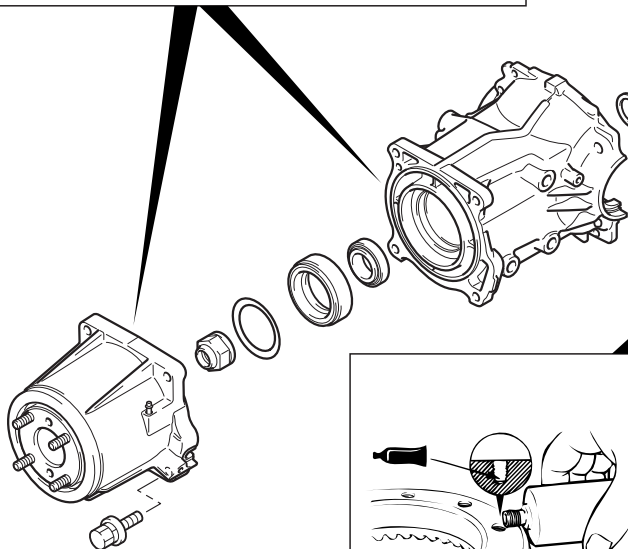
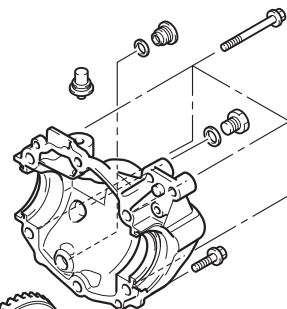
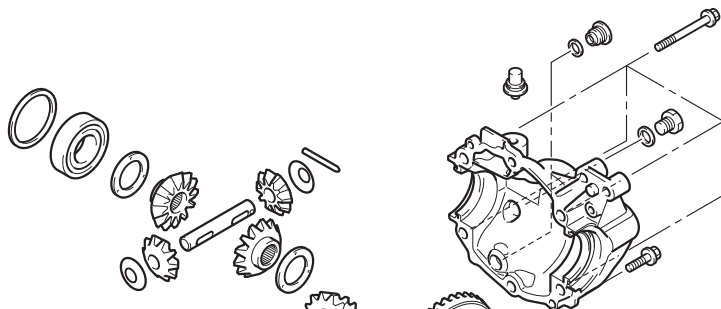


Differential side

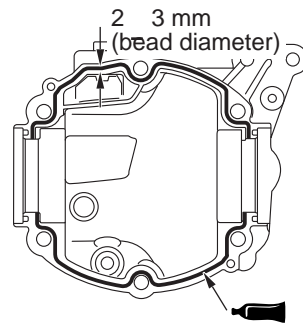
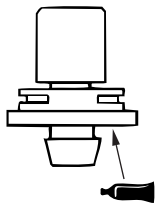
Electronic control coupling side



Semi-drying sealant:
ThreeBond 1215, 1216, 1217 or equivalent



Vent plug



Adhesive:
LOCTITE No.271

Semi-drying sealant:
ThreeBond 1215, 1216,
1217 or equivalent

Semi-drying sealant:
ThreeBond 1217