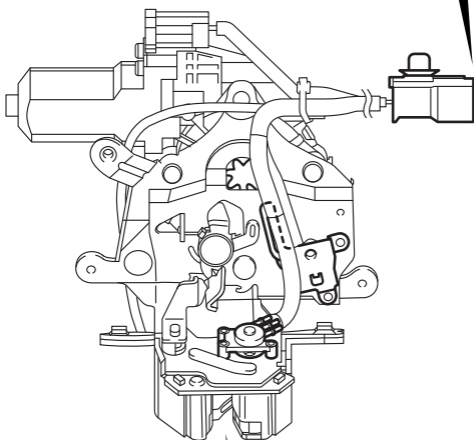


1	2	3	4	5
6	7	8	9	10



OFF (disengaged)

ON (door-ajar)

