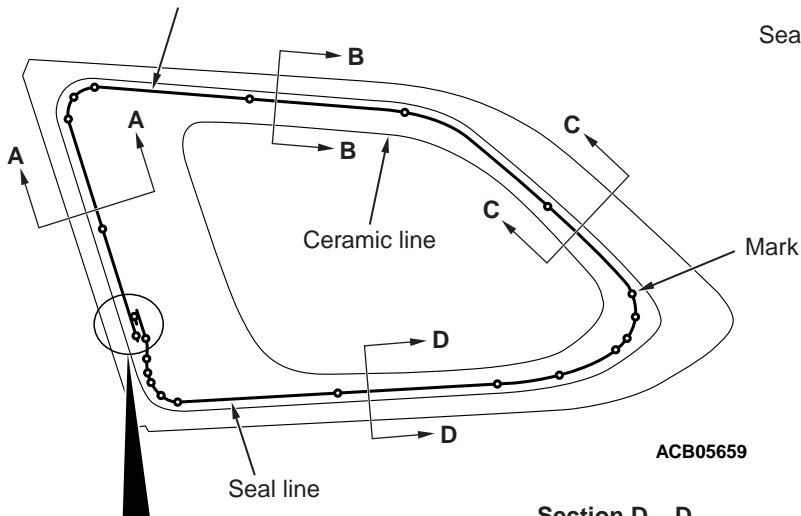
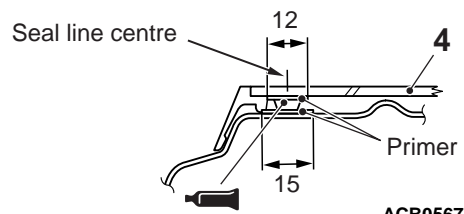


Apply the primer and adhesive along the fictitious lines (seal line) between each of the marks



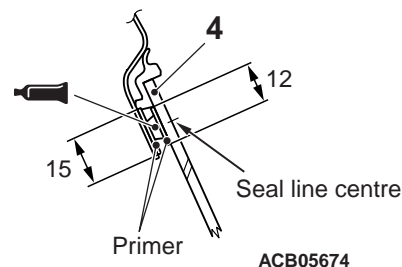
ACB05659

Section A - A



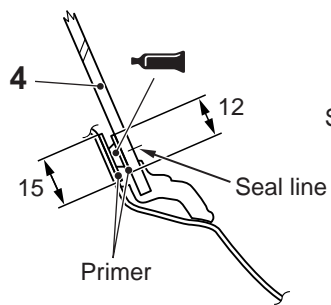
ACB05672

Section B - B



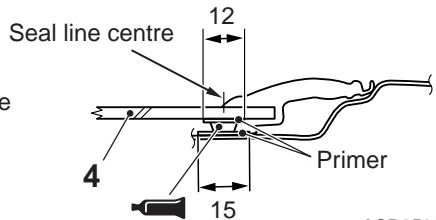
ACB05674

Section D - D

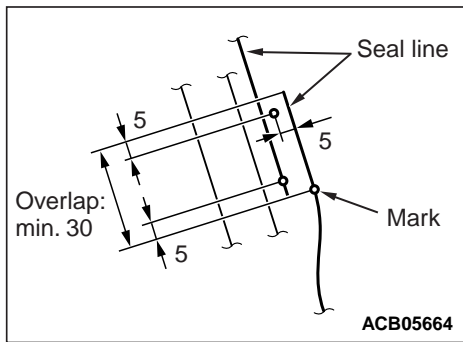


ACB05673

Section C - C



ACB05675



ACB05664

Adhesive: 3M ATD Part No. 8609 Super Fast Urethane Auto Glass Sealant or equivalent and 3M ATD Part No. 8608 Super Fast Urethane Primer or equivalent