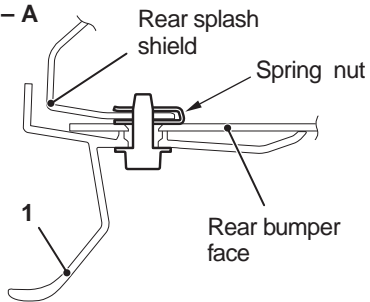
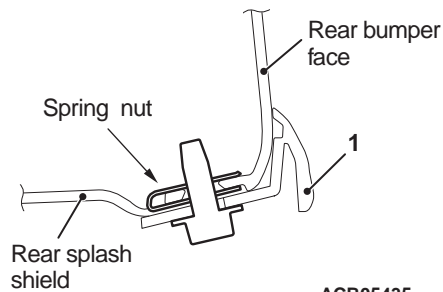
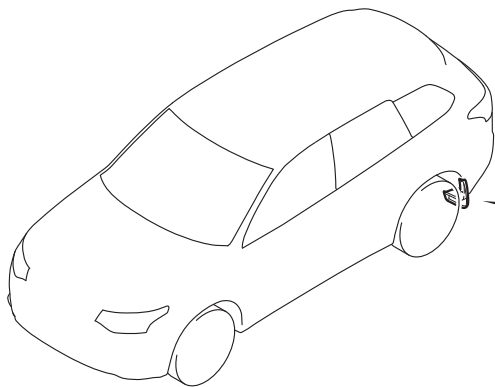
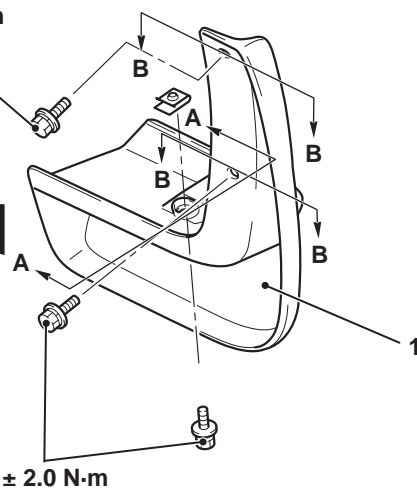


Section A – A

ACB05436

Section B – B

ACB05435

 $5.0 \pm 2.0 \text{ N}\cdot\text{m}$  $5.0 \pm 2.0 \text{ N}\cdot\text{m}$

ACB06001AB