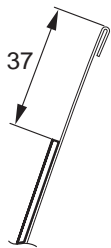
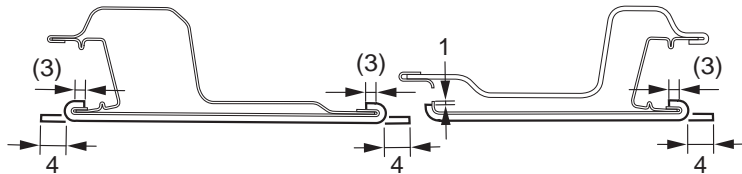


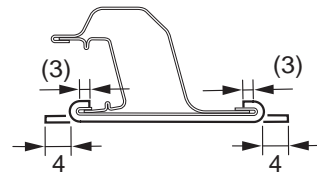
Section A - A



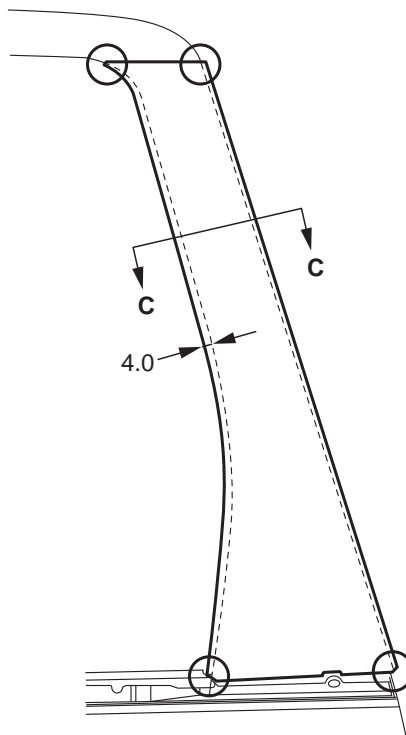
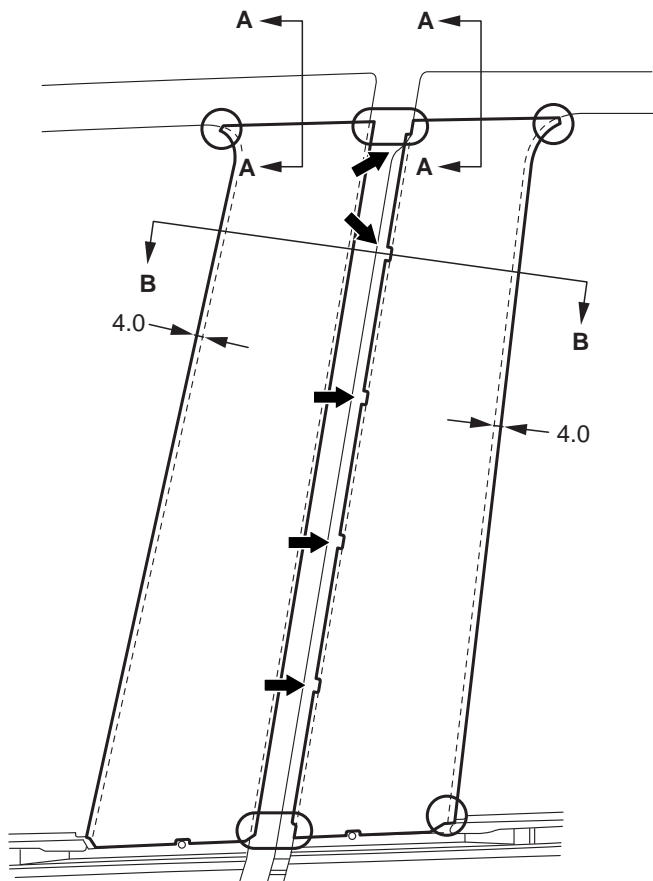
Section B - B



Section C - C



Unit: mm



○ : Tape locating points

➔ : T-stud for door opening weatherstrip attaching locations (5 places in all).