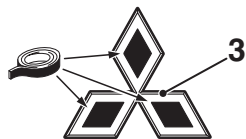
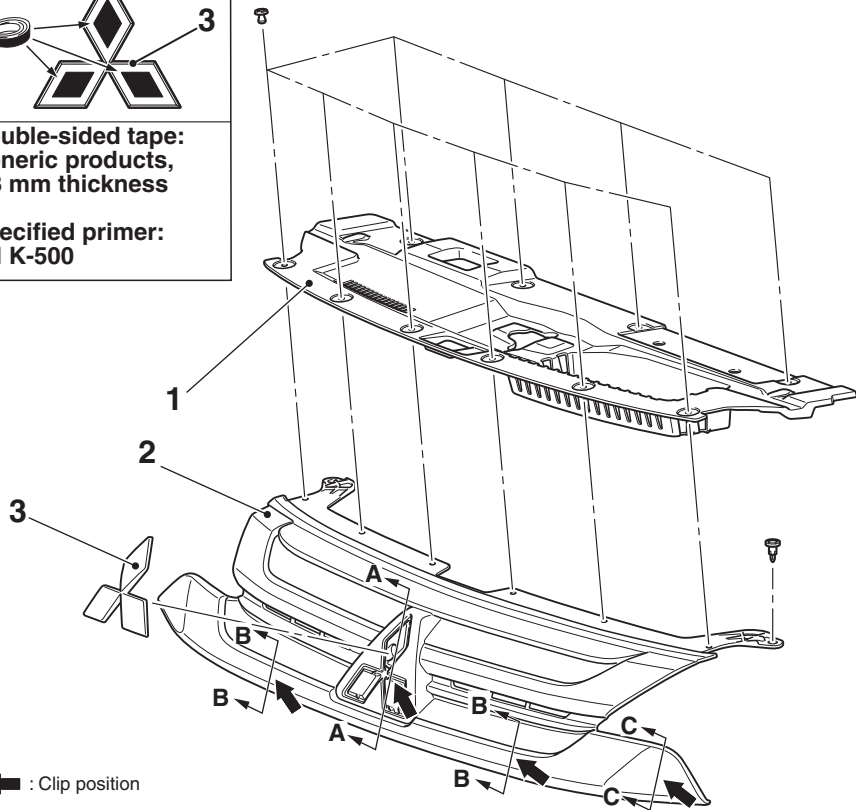


When reusing "3"

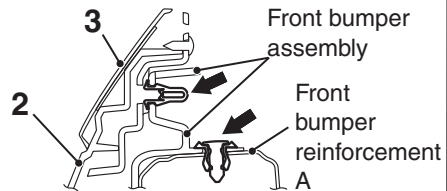


Double-sided tape:  
Generic products,  
0.8 mm thickness

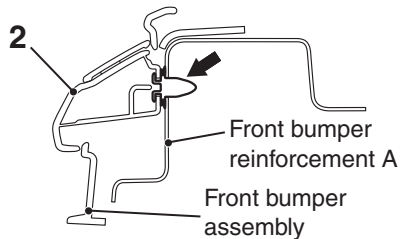
Specified primer:  
3M K-500



### Section A - A



### Section B - B



### Section C - C

