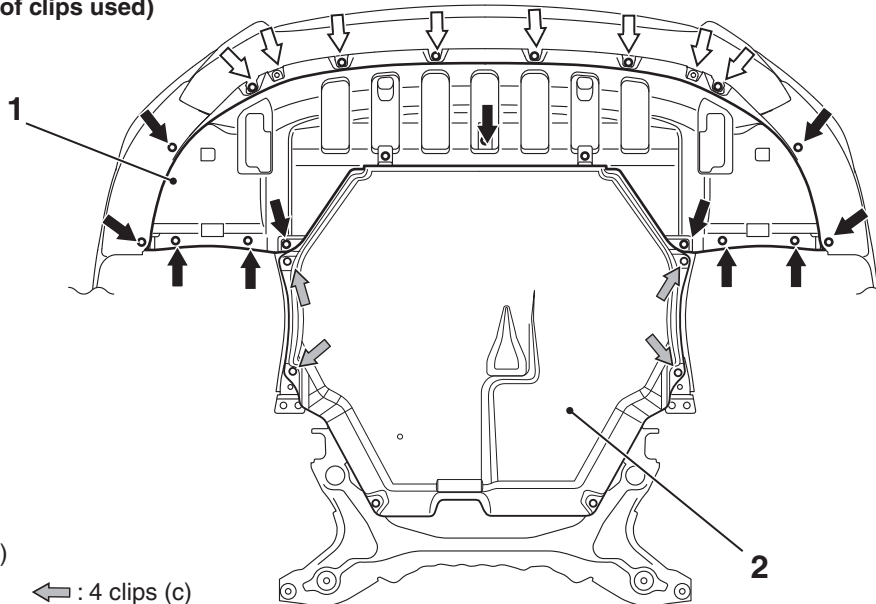


View A (Kinds of clips used)



← : 11 clips (a)

← : 8 clips (b)

← : 4 clips (c)