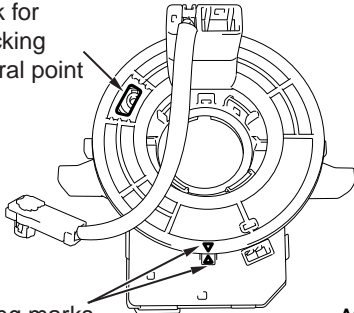


Mark for
checking
neutral point



Mating marks

AC904940AD