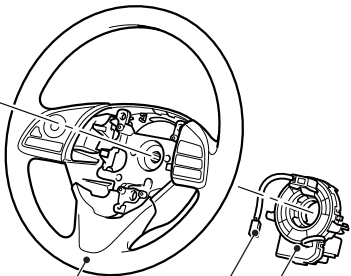
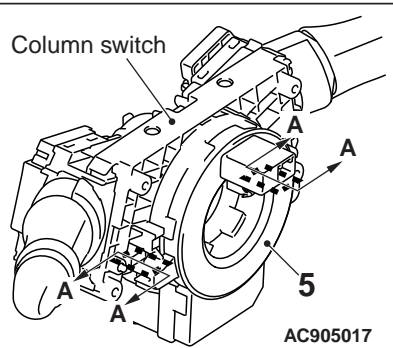
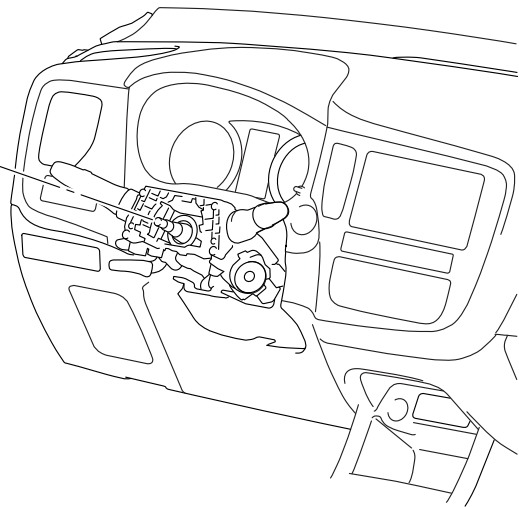


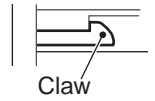
$44 \pm 11 \text{ N}\cdot\text{m}$



5



Section A - A



ACC07416AB