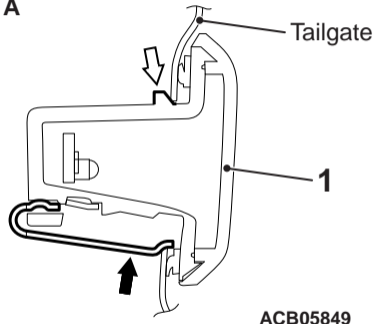


NOTE

←: Claw positions

←: Hook positions

Section A – A



ACB05849

ACB05603AB