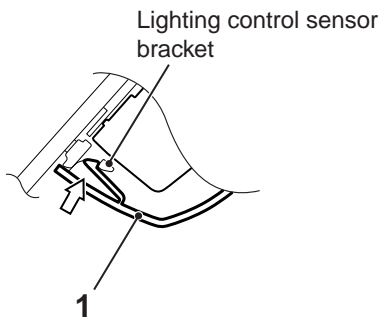
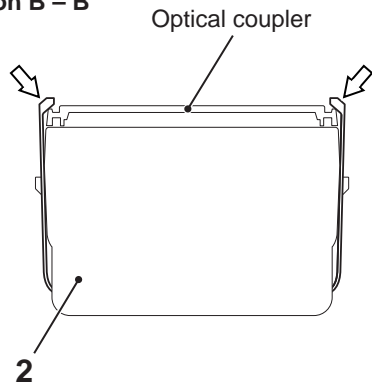


**Section A – A**



**Section B – B**



Lighting control sensor bracket

Optical coupler

NOTE

⇐: Claw positions

