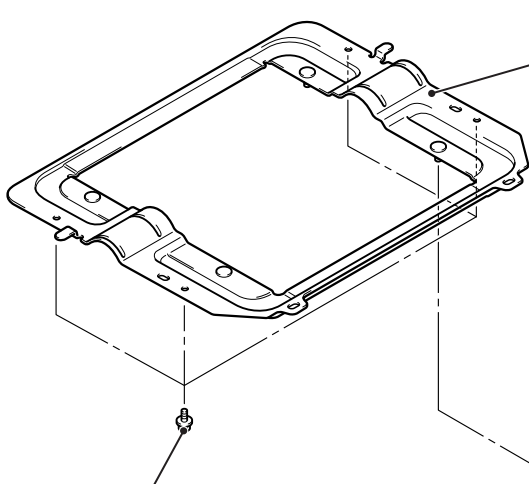
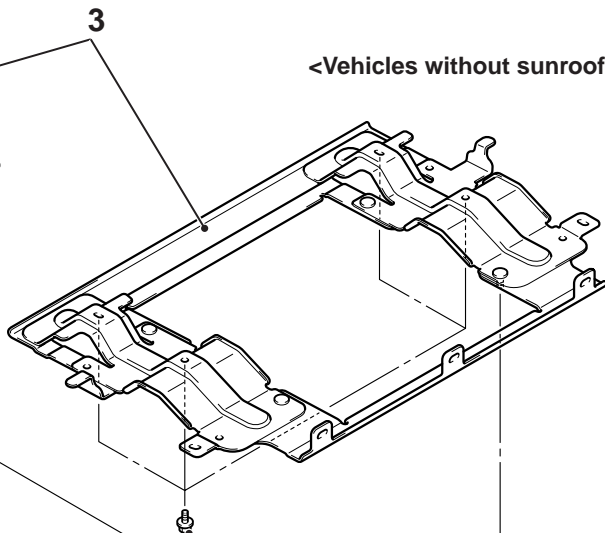


<Vehicles with sunroof>



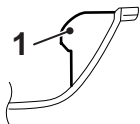
5.0 ± 1.0 N-m

<Vehicles without sunroof>

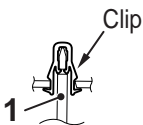


5.0 ± 1.0 N-m

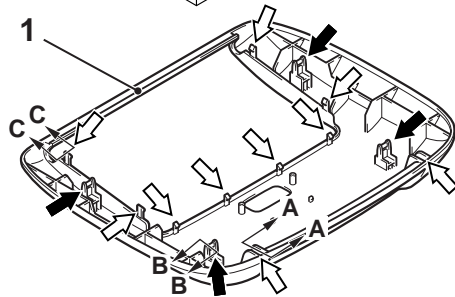
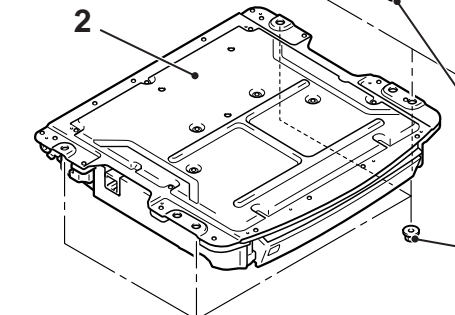
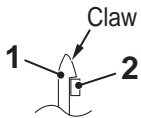
Section A – A



Section B – B



Section C – C



NOTE

(1) :Clip positions

(2) :Claw positions