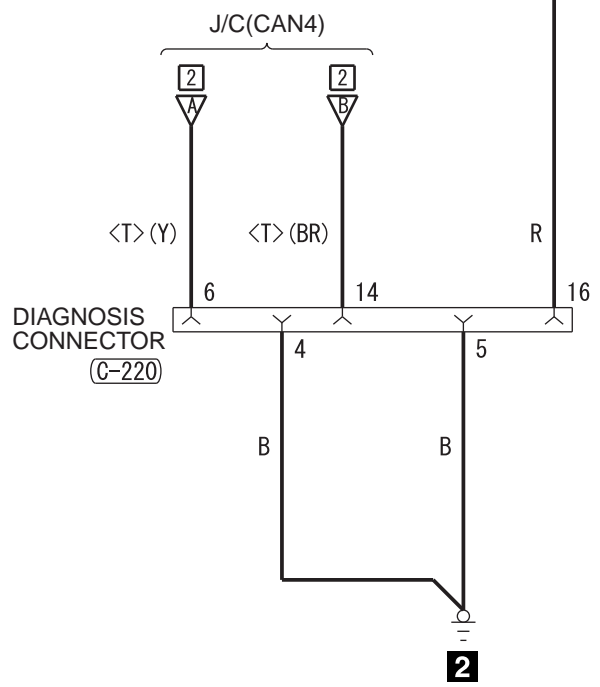
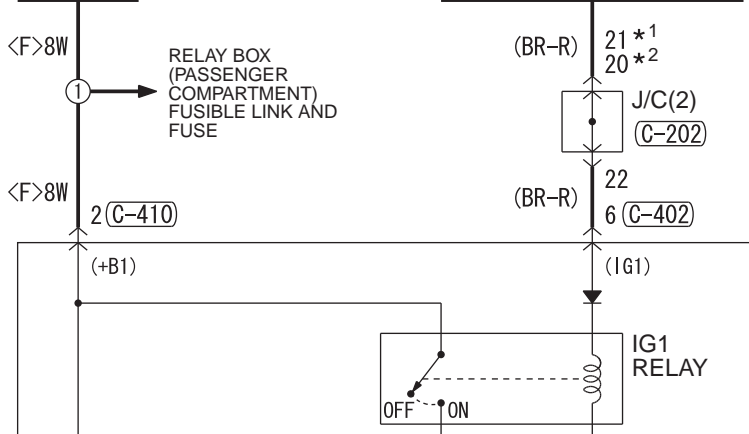
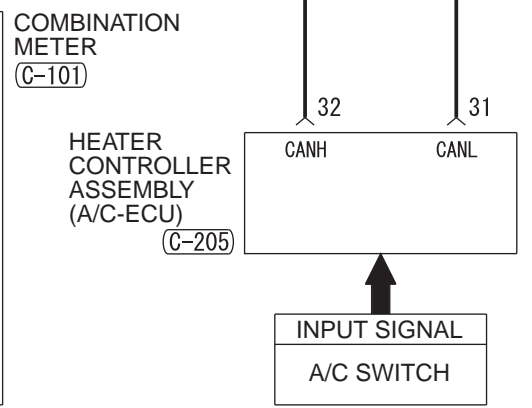
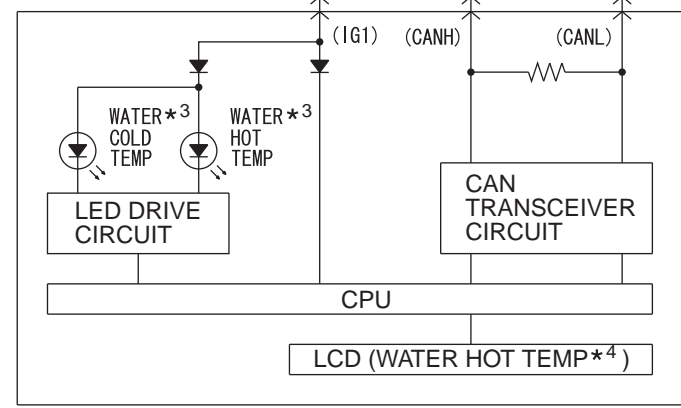
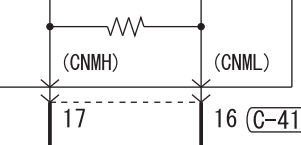
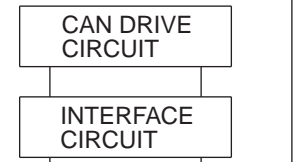


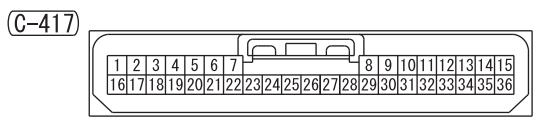
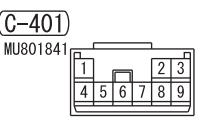
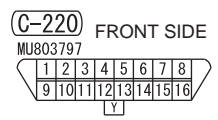
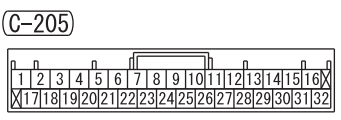
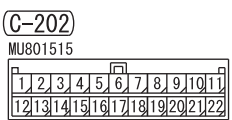
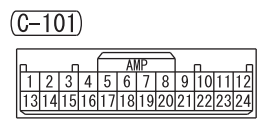
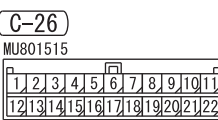
FUSIBLE LINK (2) IGNITION SWITCH (IG1) OR OSS-ECU (IG1)



- ABS-ECU
- ASC-ECU
- COLUMN SWITCH
- CORNER SENSOR/BACK SENSOR-ECU
- CVT CONTROL RELAY
- EPS-ECU
- HAZARD INDICATOR ASSEMBLY
- HEATED SEAT RELAY
- HEATER CONTROLLER ASSEMBLY (A/C-ECU)
- KOS-ECU
- SELECTOR LEVER ASSEMBLY
- SONAR SWITCH
- STEERING WHEEL SENSOR
- SUNROOF MOTOR ASSEMBLY



NOTE
 *1: VEHICLES WITHOUT KOS
 *2: VEHICLES WITH KOS
 *3: VEHICLES WITH STANDARD METER
 *4: VEHICLES WITH HIGH CONTRAST METER



Wire colour code
 B:Black LG:Light green G:Green L:Blue W:White Y:Yellow SB:Sky blue
 BR:Brown O:Orange GR:Grey R:Red P:Pink V:Violet PU:Purple SI:Silver