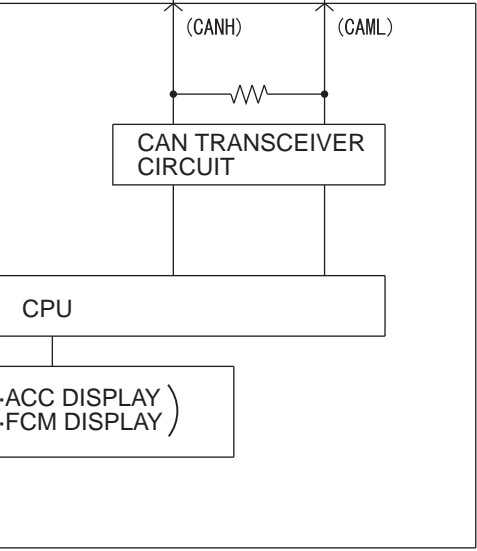
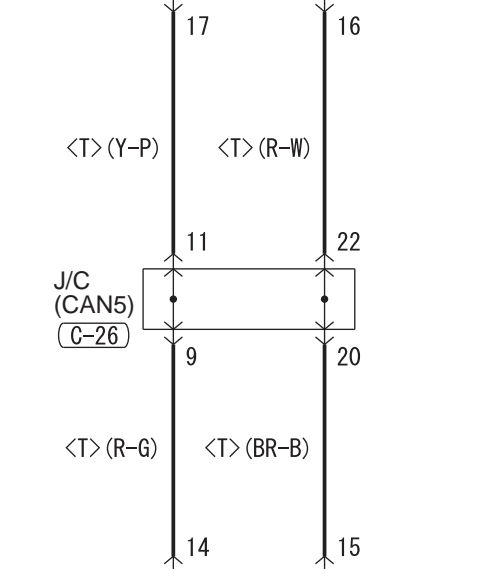
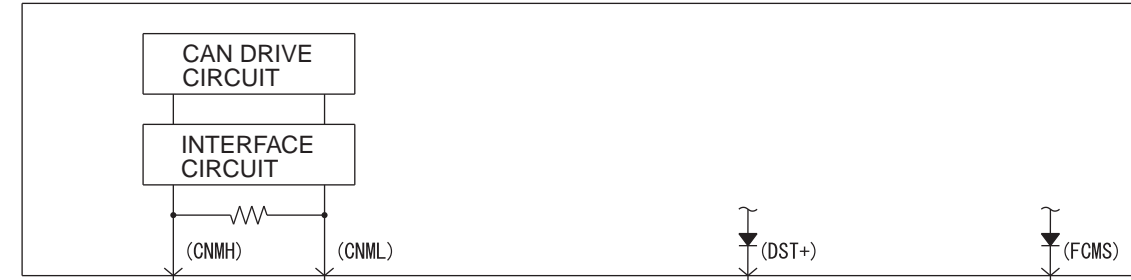
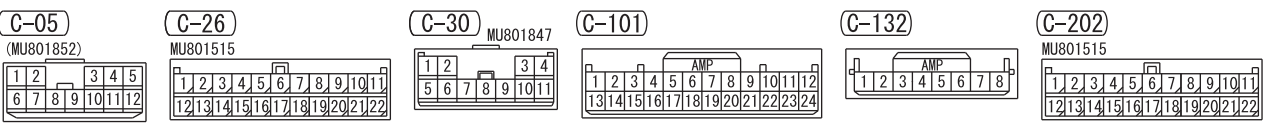


ETACS-ECU (FUSE 15)



COMBINATION METER (C-101)



ETACS-ECU (C-417)

COMBINATION METER (ILL+) (W-B) 22

COMBINATION METER (PWM) (B-W) 24

ILL+ ILL- ILO+ ILO- HEATER CONTROLLER ASSEMBLY (A/C-ECU) (C-205)

(P-B) 23 (GR-R) 2 (GR-R) 4

(P-B) 4 (GR-R) 15

(P-B) 3 (GR-R) 14

(P-B) 6 (GR-R) 7

J/C(2) (C-202) terminals 3, 4, 15, 14

J/C(4) (C-05) terminals 2, 5

FCM SWITCH (C-132) OFF/ON terminals 5, 8

ILL indicator lamp terminal 7

EARTH J/C (DASH) (C-30) terminal 1

<F>2B terminal 1

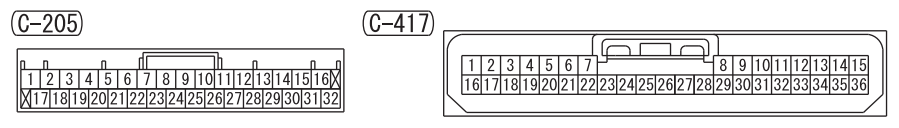
Terminal 4

Terminal 2

Terminal 5

Terminal 1

Terminal 4



- NOTE
- *1: .4WD SWITCH
 - .ASC OFF SWITCH
 - .DOWNLIGHT
 - .ELECTRIC TAILGATE CONTROL UNIT
 - .HAZARD INDICATOR ASSEMBLY
 - .HEADLAMP MANUAL LEVELLING SWITCH
 - .HEATED SEAT SWITCH
 - .METER INFORMATION SWITCH
 - .RADIO AND CD PLAYER
 - .SONAR SWITCH
 - .SPARE CONNECTOR (FOR AUDIO)
 - *2: .4WD SWITCH
 - .ASC OFF SWITCH
 - .DOWNLIGHT
 - .ELECTRIC TAILGATE CONTROL UNIT
 - .HAZARD INDICATOR ASSEMBLY
 - .HEADLAMP MANUAL LEVELLING SWITCH
 - .HEATED SEAT SWITCH
 - .METER INFORMATION SWITCH
 - .SONAR SWITCH

Wire colour code
 B : Black LG : Light green G : Green L : Blue W : White Y : Yellow SB : Sky blue
 BR : Brown O : Orange GR : Grey R : Red P : Pink V : Violet PU : Purple SI : Silver