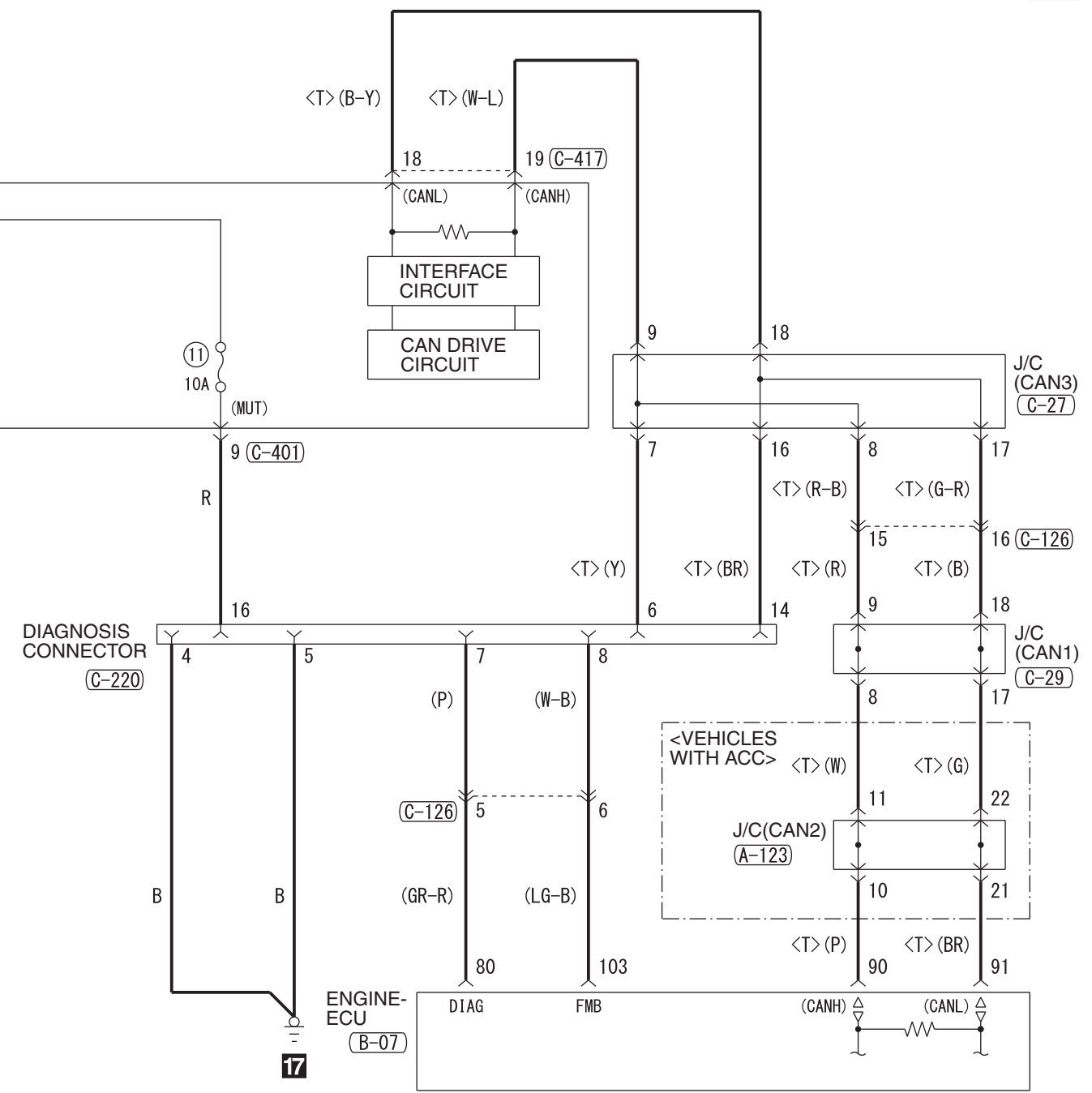
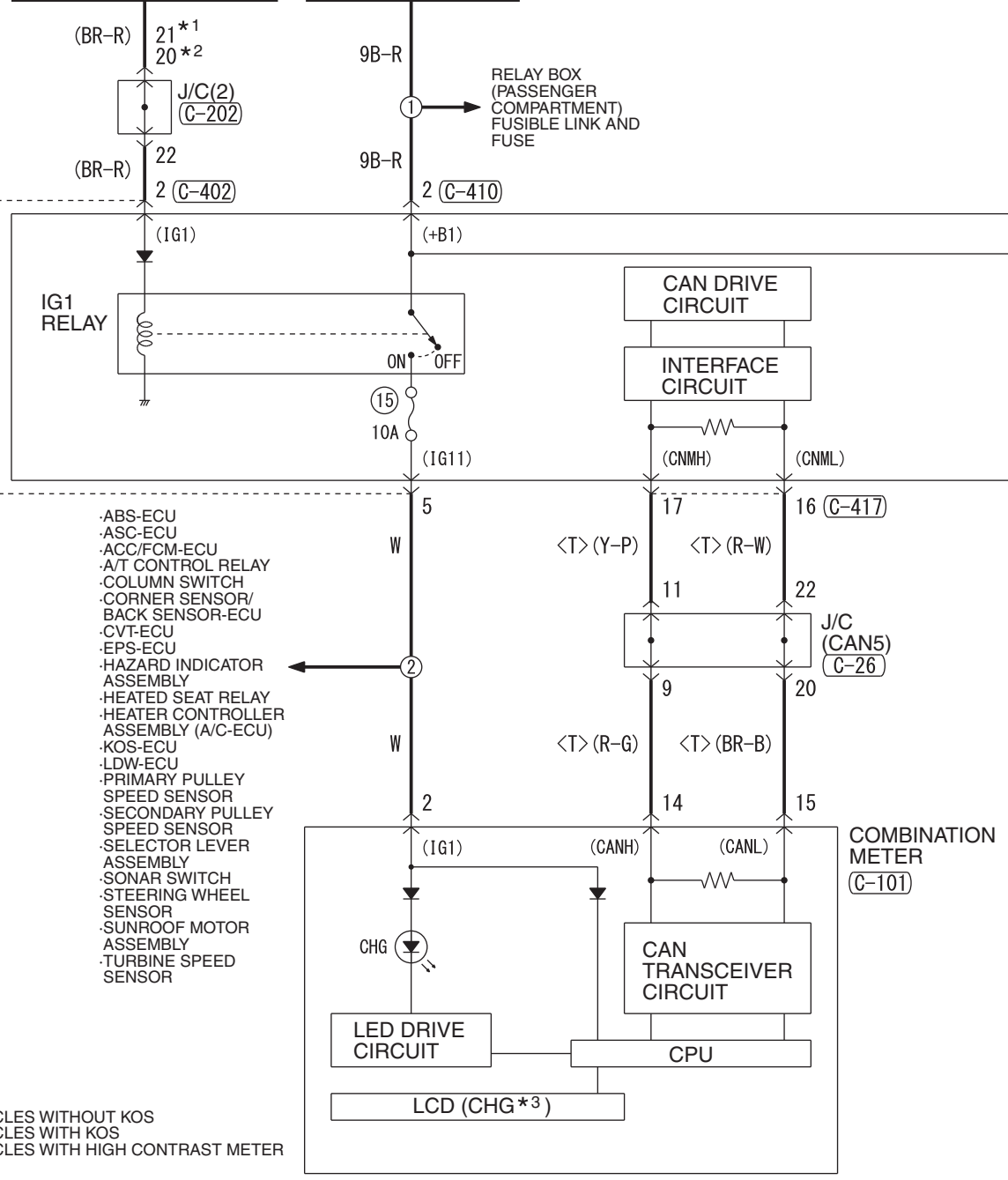


IGNITION SWITCH (IG1) OR OSS-ECU (IG1)

FUSIBLE LINK ②

ETACS-ECU



NOTE  
 \*1: VEHICLES WITHOUT KOS  
 \*2: VEHICLES WITH KOS  
 \*3: VEHICLES WITH HIGH CONTRAST METER

