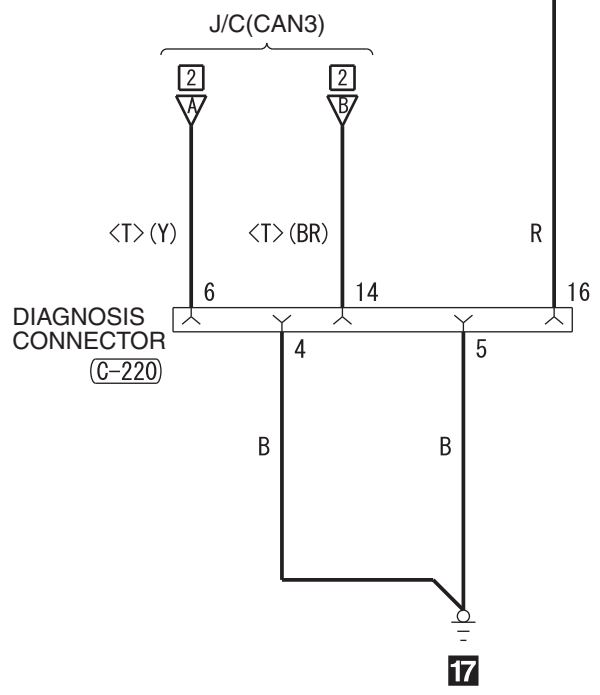
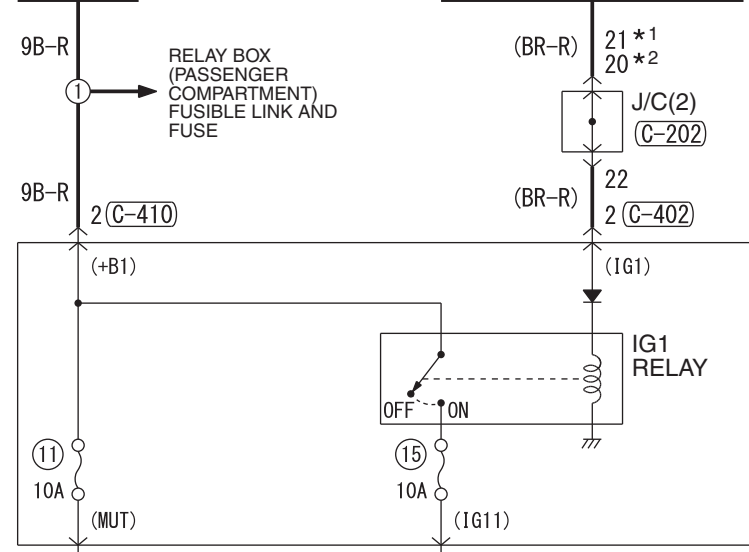
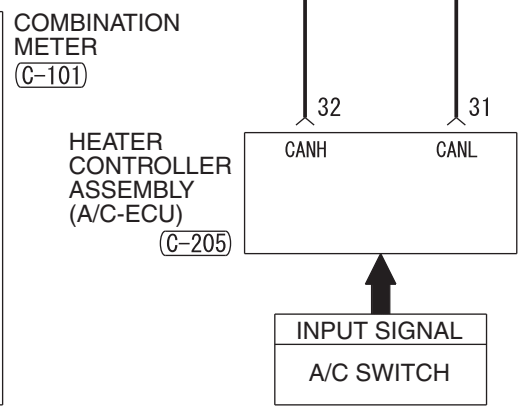
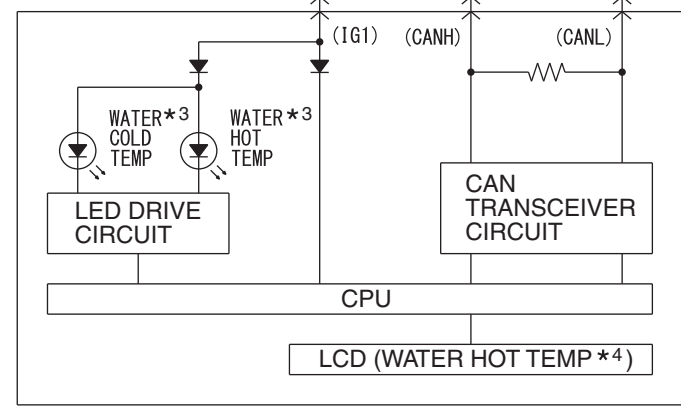
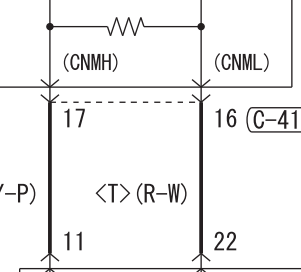
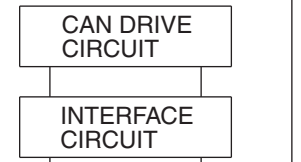


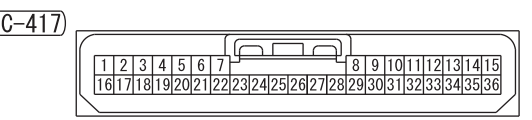
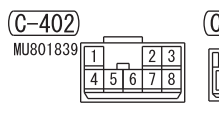
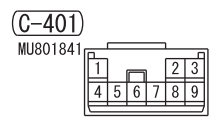
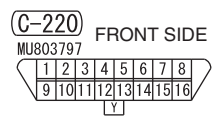
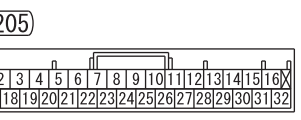
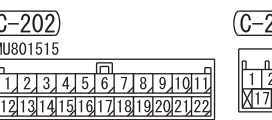
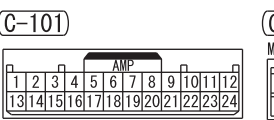
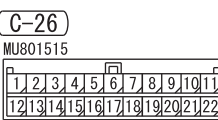
FUSIBLE LINK ② IGNITION SWITCH (IG1) OR OSS-ECU (IG1)



- .ABS-ECU
- .ASC-ECU
- .COLUMN SWITCH
- .CORNER SENSOR/BACK SENSOR-ECU
- .CVT-ECU
- .EPS-ECU
- .HAZARD INDICATOR ASSEMBLY
- .HEATED SEAT RELAY
- .HEATER CONTROLLER ASSEMBLY (A/C-ECU)
- .KOS-ECU
- .PRIMARY PULLEY SPEED SENSOR
- .SECONDARY PULLEY SPEED SENSOR
- .SELECTOR LEVER ASSEMBLY
- .SONAR SWITCH
- .STEERING WHEEL SENSOR
- .SUNROOF MOTOR ASSEMBLY
- .TURBINE SPEED SENSOR



NOTE
 *1: VEHICLES WITHOUT KOS
 *2: VEHICLES WITH KOS
 *3: VEHICLES WITH STANDARD METER
 *4: VEHICLES WITH HIGH CONTRAST METER



Wire colour code
 B: Black LG: Light green G: Green L: Blue W: White Y: Yellow SB: Sky blue BR: Brown
 O: Orange GR: Grey R: Red P: Pink V: Violet PU: Purple SI: Silver BE: Beige