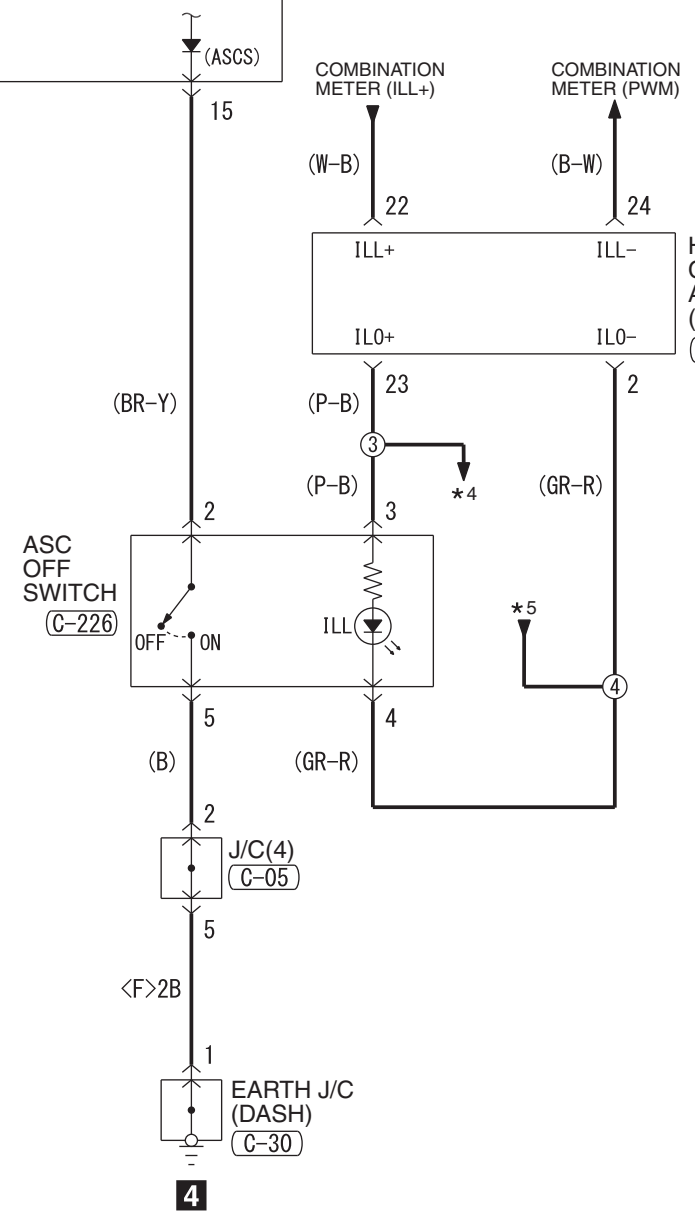
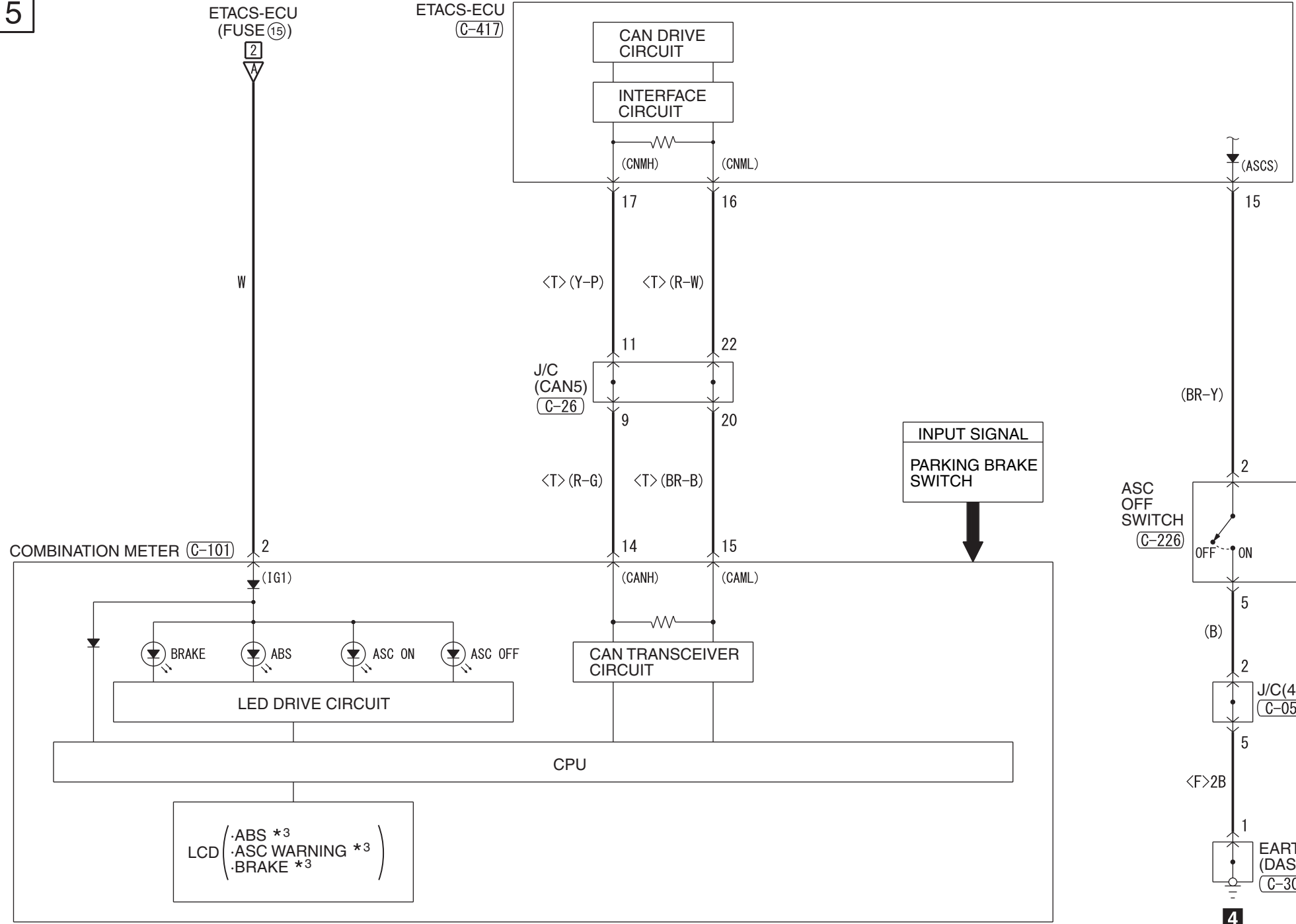


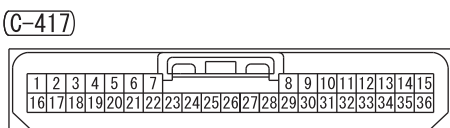
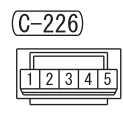
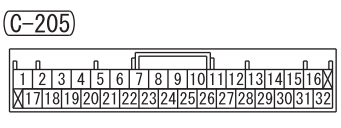
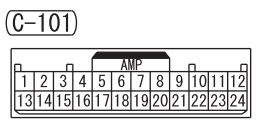
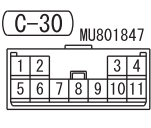
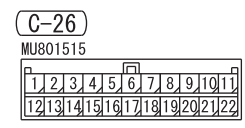
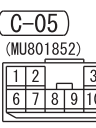
ETACS-ECU (FUSE 15)

ETACS-ECU (C-417)



HEATER CONTROLLER ASSEMBLY (A/C-ECU) (C-205)

- NOTE
- *3: VEHICLES WITH HIGH CONTRAST METER
 - *4: .4WD SWITCH
 - .DOWNLIGHT
 - .ELECTRIC TAILGATE SWITCH
 - .FCM SWITCH
 - .HAZARD INDICATOR ASSEMBLY
 - .HEADLAMP MANUAL LEVELLING SWITCH
 - .HEATED SEAT SWITCH
 - .LDW SWITCH
 - .METER INFORMATION SWITCH
 - .MULTIVISION DISPLAY
 - .RADIO AND CD PLAYER
 - .S-AWC DRIVE
 - .MODE-SELECTOR
 - .SONAR SWITCH
 - .SPARE CONNECTOR (FOR AUDIO)
 - *5: .4WD SWITCH
 - .DOWNLIGHT
 - .ELECTRIC TAILGATE SWITCH
 - .FCM SWITCH
 - .HAZARD INDICATOR ASSEMBLY
 - .HEADLAMP MANUAL LEVELLING SWITCH
 - .HEATED SEAT SWITCH
 - .LDW SWITCH
 - .METER INFORMATION SWITCH
 - .S-AWC DRIVE
 - .MODE-SELECTOR
 - .SONAR SWITCH



Wire colour code
 B : Black LG : Light green G : Green L : Blue W : White Y : Yellow SB : Sky blue BR : Brown
 O : Orange GR : Grey R : Red P : Pink V : Violet PU : Purple SI : Silver BE : Beige