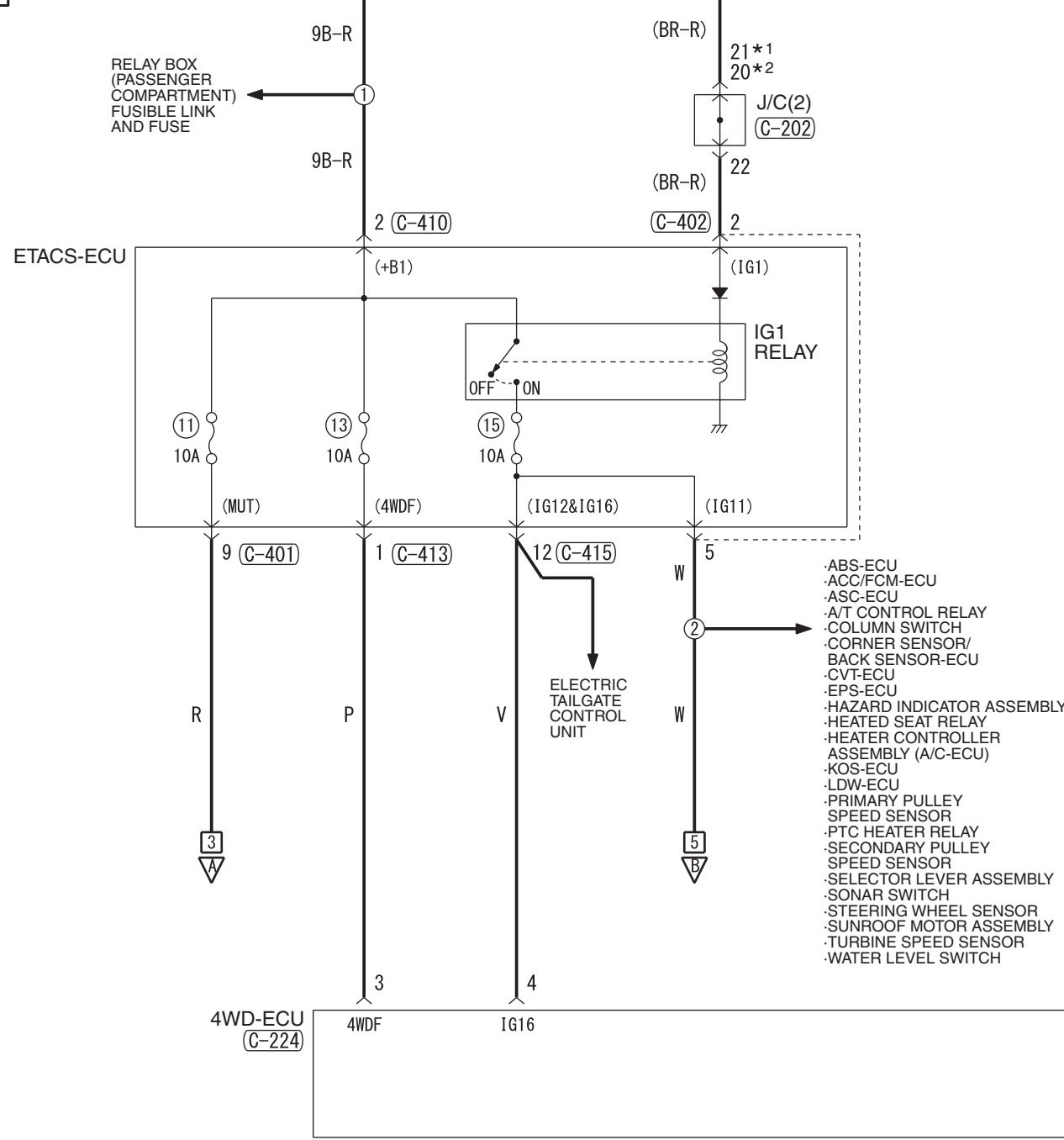


FUSIBLE LINK (2) <4B1, 6B3>
FUSIBLE LINK (2) <4N1>

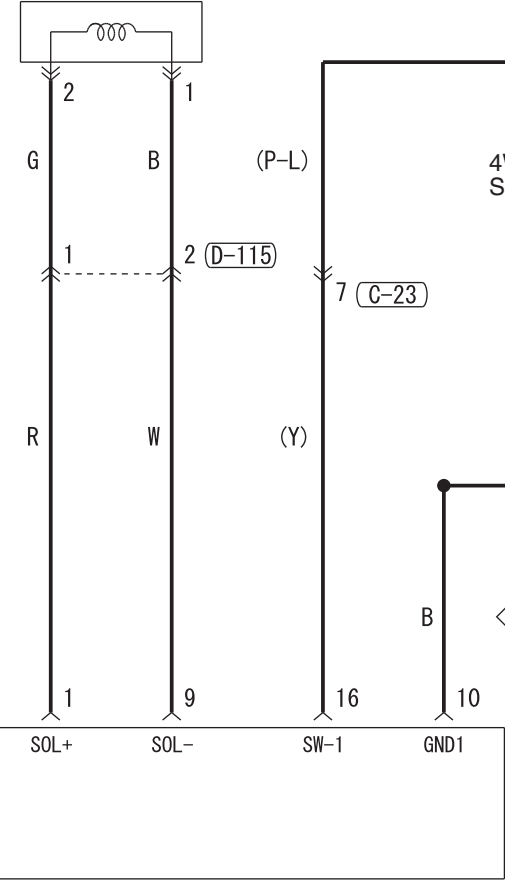
IGNITION SWITCH (IG1)
OR OSS-ECU (IG1)



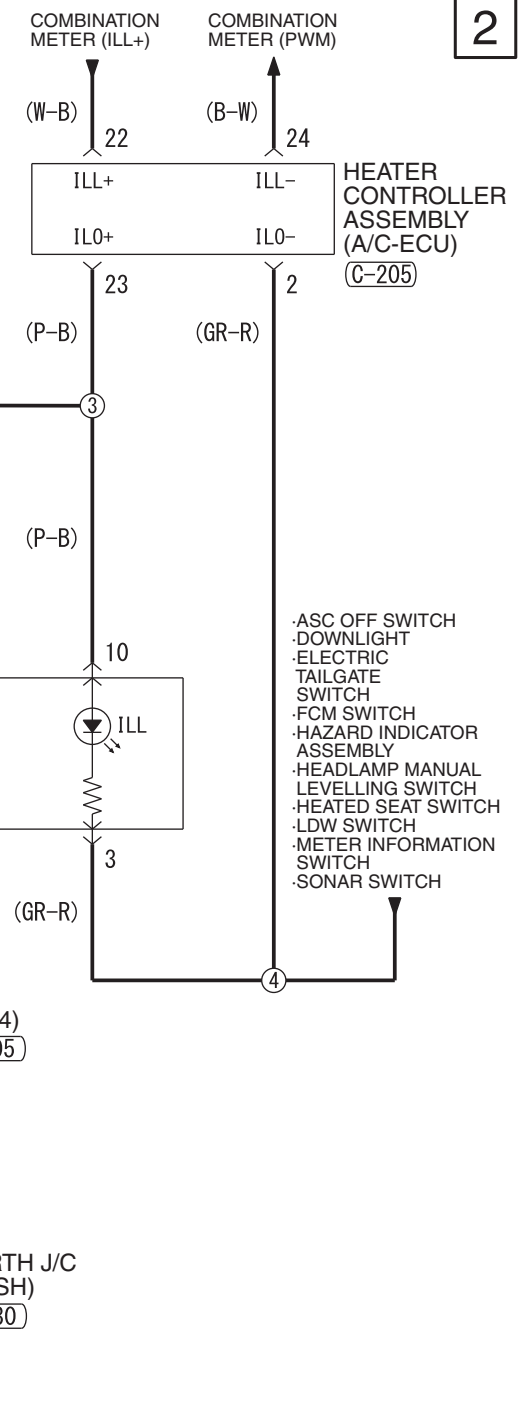
- ABS-ECU
- ACC/FCM-ECU
- ASC-ECU
- A/T CONTROL RELAY
- COLUMN SWITCH
- CORNER SENSOR/BACK SENSOR-ECU
- CVT-ECU
- EPS-ECU
- HAZARD INDICATOR ASSEMBLY
- HEATED SEAT RELAY
- HEATER CONTROLLER ASSEMBLY (A/C-ECU)
- KOS-ECU
- LDW-ECU
- PRIMARY PULLEY
- SPEED SENSOR
- PTC HEATER RELAY
- SECONDARY PULLEY
- SPEED SENSOR
- SELECTOR LEVER ASSEMBLY
- SONAR SWITCH
- STEERING WHEEL SENSOR
- SUNROOF MOTOR ASSEMBLY
- TURBINE SPEED SENSOR
- WATER LEVEL SWITCH

NOTE
 *1 : VEHICLES WITHOUT KOS
 *2 : VEHICLES WITH KOS

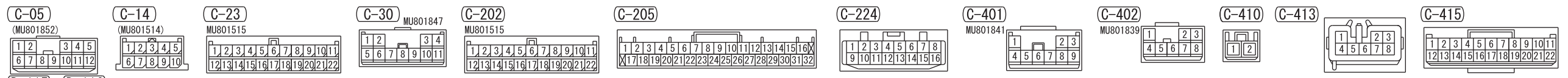
ELECTRONIC CONTROL COUPLING SOLENOID (D-116)



- ASC OFF SWITCH
- DOWNLIGHT
- ELECTRIC TAILGATE SWITCH
- FCM SWITCH
- HAZARD INDICATOR ASSEMBLY
- HEADLAMP MANUAL LEVELLING SWITCH
- HEATED SEAT SWITCH
- LDW SWITCH
- METER INFORMATION SWITCH
- MULTIVISION DISPLAY
- RADIO AND CD PLAYER
- SONAR SWITCH
- SPARE CONNECTOR (FOR AUDIO)



- ASC OFF SWITCH
- DOWNLIGHT
- ELECTRIC TAILGATE SWITCH
- FCM SWITCH
- HAZARD INDICATOR ASSEMBLY
- HEADLAMP MANUAL LEVELLING SWITCH
- HEATED SEAT SWITCH
- LDW SWITCH
- METER INFORMATION SWITCH
- SONAR SWITCH



Wire colour code
 B : Black LG : Light green G : Green L : Blue W : White Y : Yellow SB : Sky blue BR : Brown
 O : Orange GR : Grey R : Red P : Pink V : Violet PU : Purple SI : Silver BE : Beige