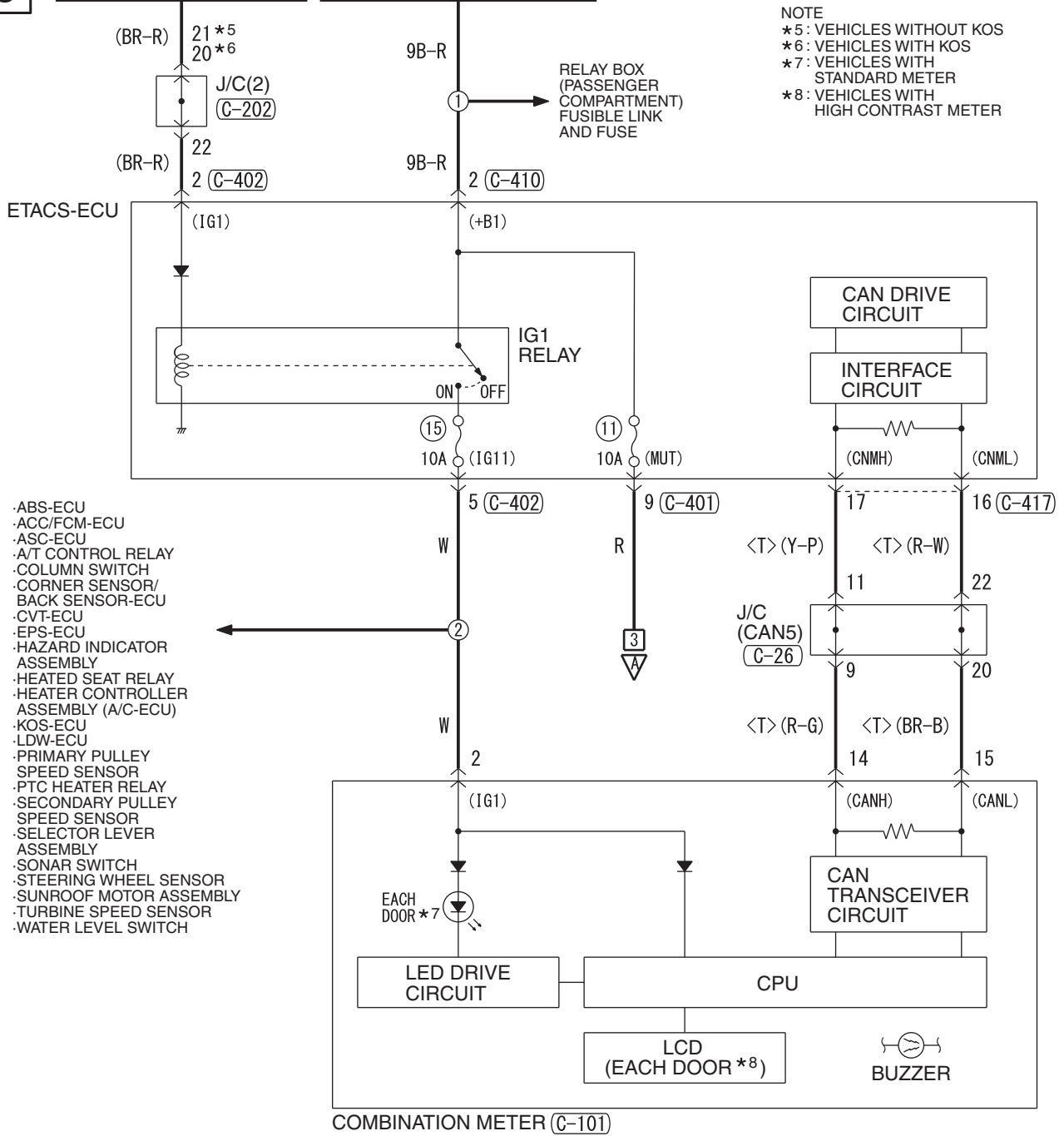


IGNITION SWITCH (IG1) OR OSS-ECU (IG1)
 FUSIBLE LINK (2) <4B1, 6B3>
 FUSIBLE LINK (12) <4N1>

NOTE
 *5: VEHICLES WITHOUT KOS
 *6: VEHICLES WITH KOS
 *7: VEHICLES WITH STANDARD METER
 *8: VEHICLES WITH HIGH CONTRAST METER



- .ABS-ECU
- .ACC/FCM-ECU
- .ASC-ECU
- .A/T CONTROL RELAY
- .COLUMN SWITCH
- .CORNER SENSOR/BACK SENSOR-ECU
- .CVT-ECU
- .EPS-ECU
- .HAZARD INDICATOR ASSEMBLY
- .HEATED SEAT RELAY
- .HEATER CONTROLLER ASSEMBLY (A/C-ECU)
- .KOS-ECU
- .LDW-ECU
- .PRIMARY PULLEY SPEED SENSOR
- .PTC HEATER RELAY
- .SECONDARY PULLEY SPEED SENSOR
- .SELECTOR LEVER ASSEMBLY
- .SONAR SWITCH
- .STEERING WHEEL SENSOR
- .SUNROOF MOTOR ASSEMBLY
- .TURBINE SPEED SENSOR
- .WATER LEVEL SWITCH

