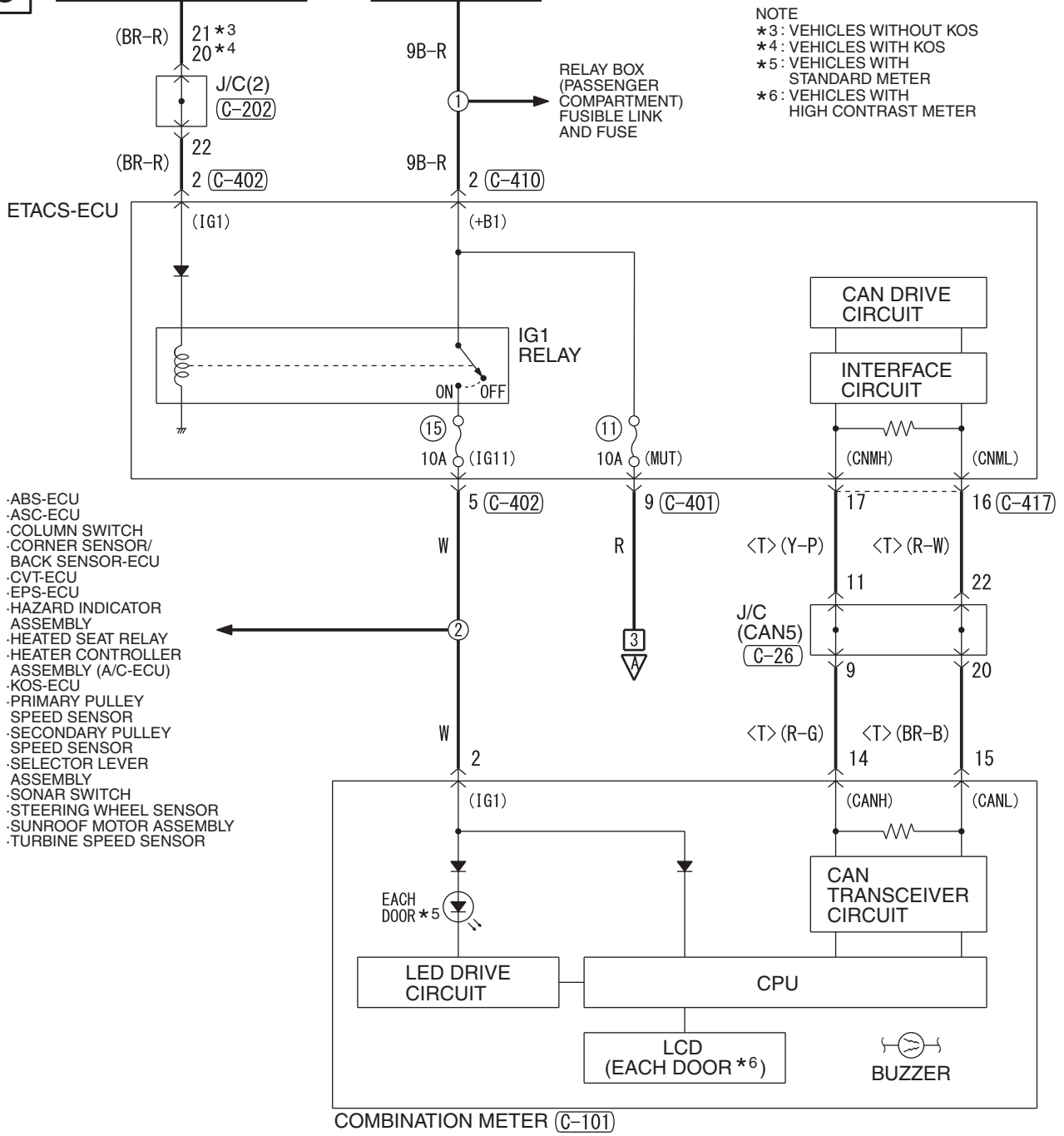


IGNITION SWITCH (IG1)
OR OSS-ECU (IG1)

FUSIBLE LINK ②

NOTE
 *3: VEHICLES WITHOUT KOS
 *4: VEHICLES WITH KOS
 *5: VEHICLES WITH
STANDARD METER
 *6: VEHICLES WITH
HIGH CONTRAST METER



- ABS-ECU
- ASC-ECU
- COLUMN SWITCH
- CORNER SENSOR/
BACK SENSOR-ECU
- CVT-ECU
- EPS-ECU
- HAZARD INDICATOR
ASSEMBLY
- HEATED SEAT RELAY
- HEATER CONTROLLER
ASSEMBLY (A/C-ECU)
- KOS-ECU
- PRIMARY PULLEY
SPEED SENSOR
- SECONDARY PULLEY
SPEED SENSOR
- SELECTOR LEVER
ASSEMBLY
- SONAR SWITCH
- STEERING WHEEL SENSOR
- SUNROOF MOTOR ASSEMBLY
- TURBINE SPEED SENSOR

