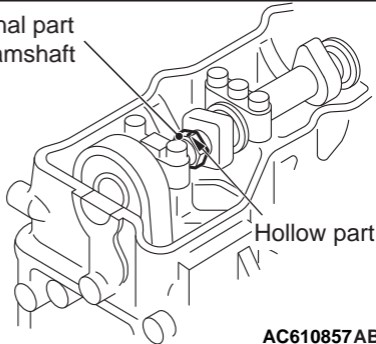


Hexagonal part  
of the camshaft



**AC610857AB**