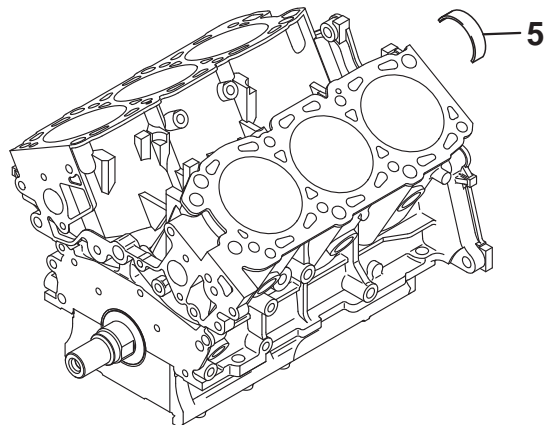
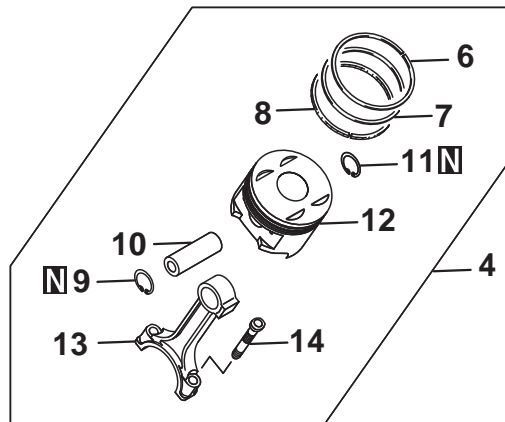




Apply engine oil to  
all moving parts  
before installation.



⊙ 1 — 27 N·m → +90°