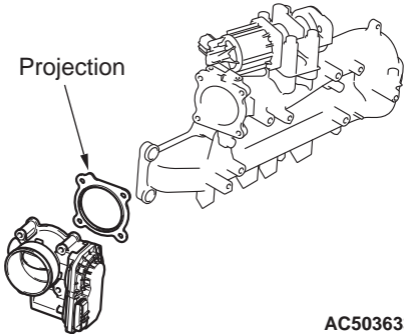


Projection



**AC503633AB**