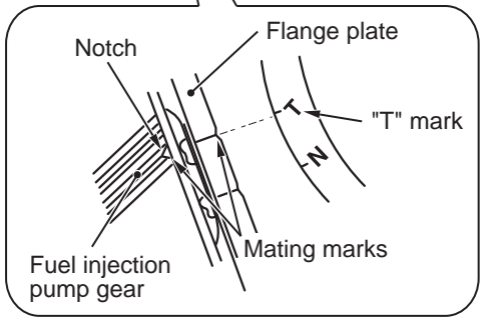


Fuel injection pump



Notch

Flange plate

"T" mark

Mating marks

Fuel injection pump gear