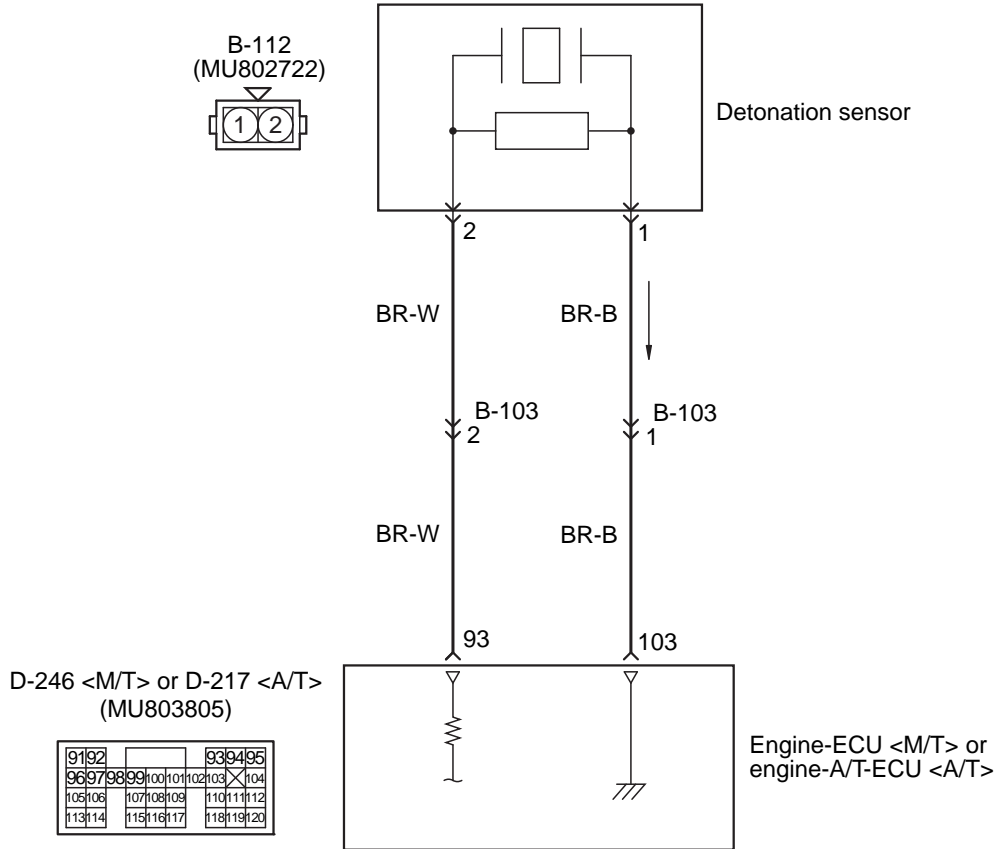


Detonation sensor circuit



Wire colour code

B: Black LG: Light green G: Green L: Blue W: White Y: Yellow SB: Sky blue BR: Brown O: Orange GR: Gray
 R: Red P: Pink V: Violet PU: Purple ST: Silver