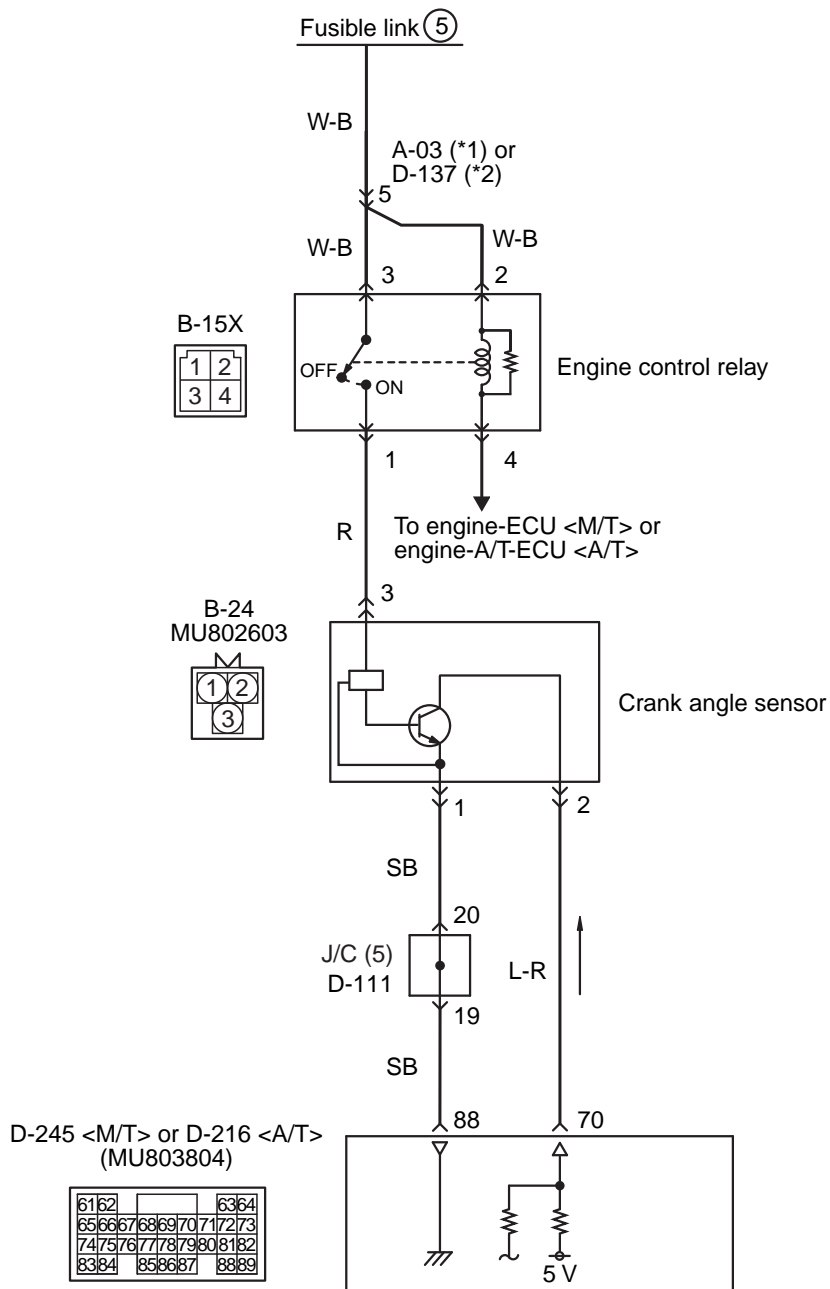


Crank angle sensor circuit



NOTE

- *1: L.H. drive vehicles
- *2: R.H. drive vehicles

Wire colour code

B: Black LG: Light green G: Green L: Blue W: White Y: Yellow SB: Sky blue BR: Brown O: Orange GR: Gray R: Red P: Pink V: Violet PU: Purple SI: Silver