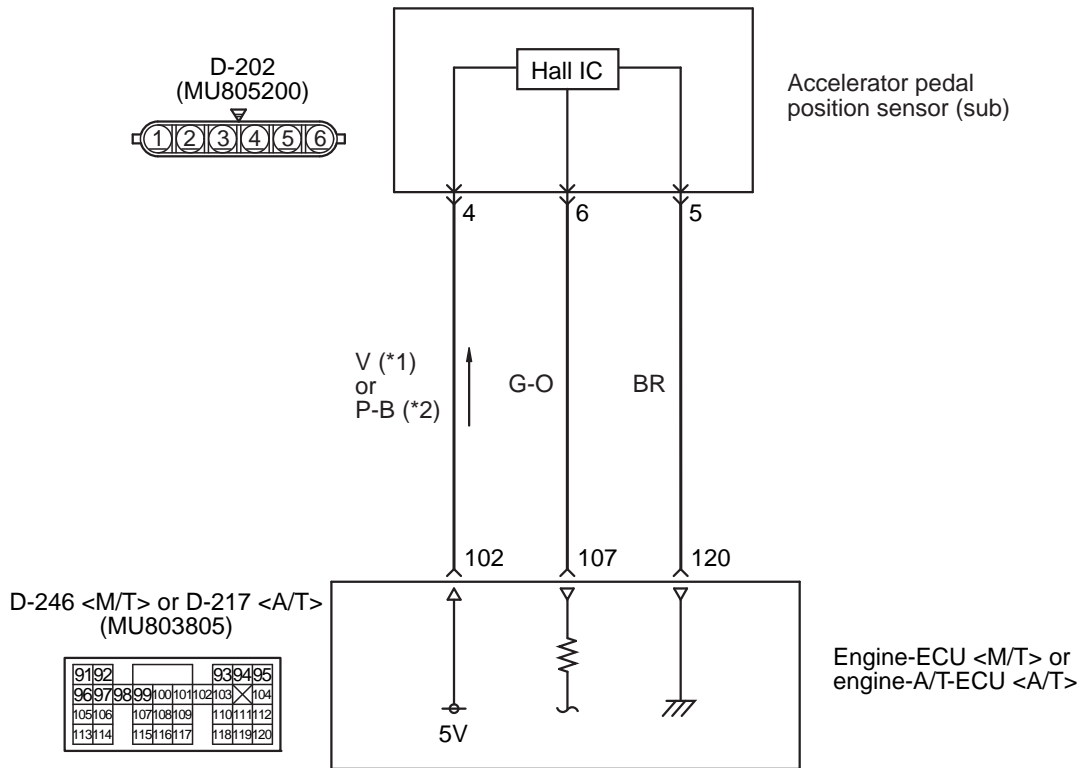


Accelerator pedal position sensor (sub) circuit



NOTE

*1: L.H. drive vehicles

*2: R.H. drive vehicles

Wire colour code

B: Black LG: Light green G: Green L: Blue W: White Y: Yellow SB: Sky blue BR: Brown O: Orange GR: Gray
R: Red P: Pink V: Violet PU: Purple SI: Silver