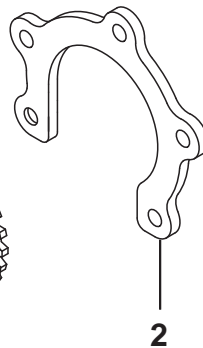
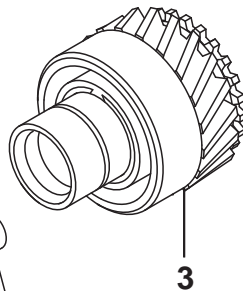
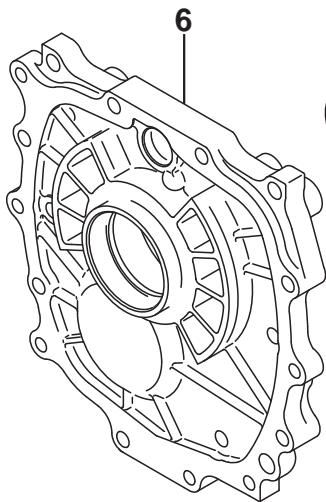
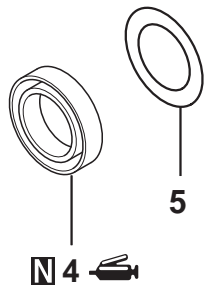




Apply gear oil to
all moving parts
before installation.



$19 \pm 2 \text{ N}\cdot\text{m}$