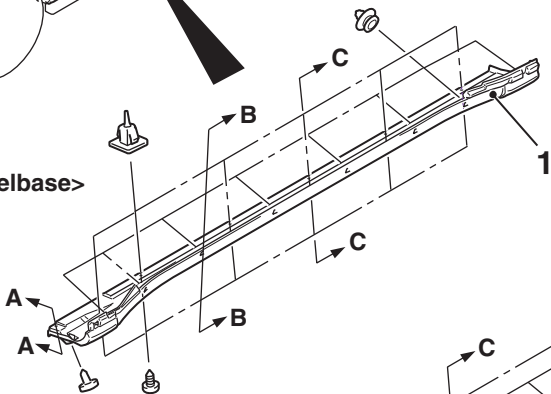
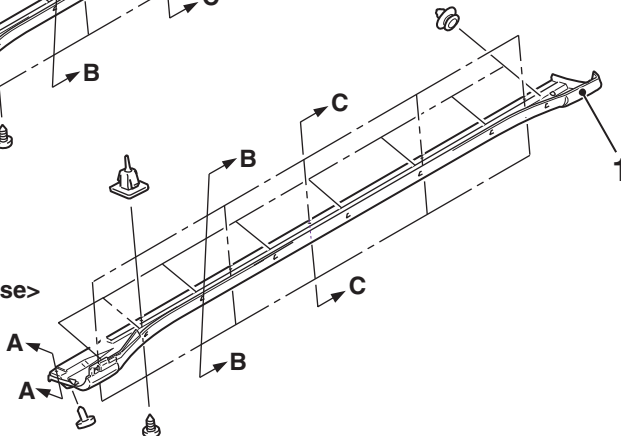


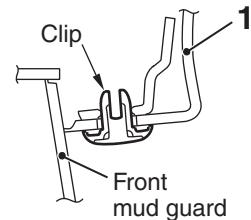
<Short wheelbase>



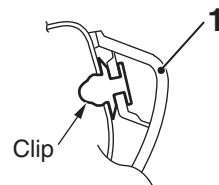
<Long wheelbase>



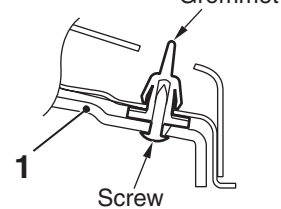
Section A - A



Section B - B

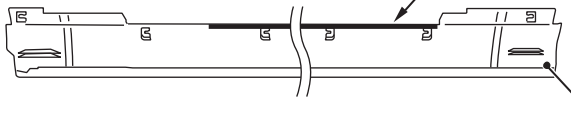


Section C - C

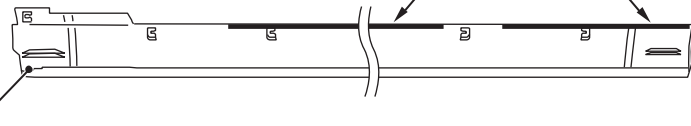


Double-sided tape affixed locations

<Short wheelbase>



<Long wheelbase>



Double-sided tape: Generic products 4.0 mm width and 1.2 mm thickness