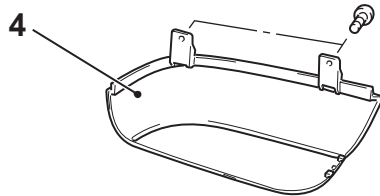
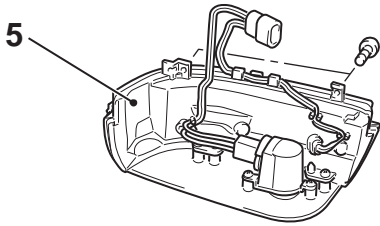
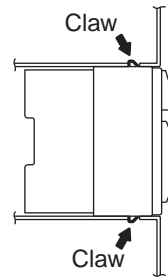
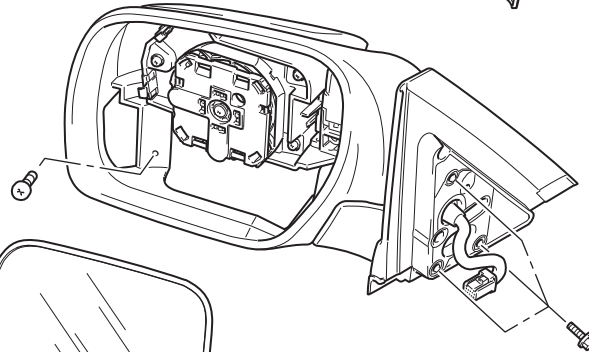
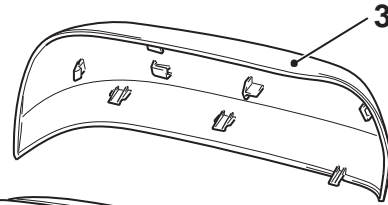
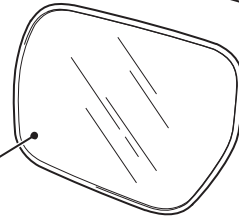


Section A - A



2



1