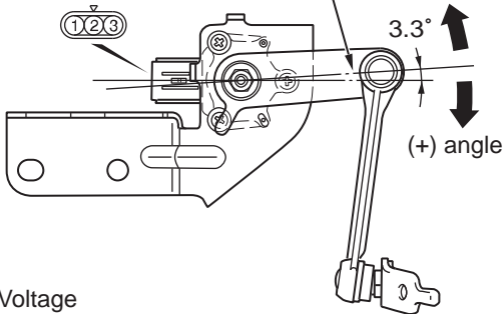


Sensor standard line
(0° angle position)

(-) angle

3.3°

(+) angle



Voltage

4.5V

2.5 V

0.5 V

-60

-45

-30

-15

0

15

30

45

60

Sensor operation angle (°)

AC602675 AB