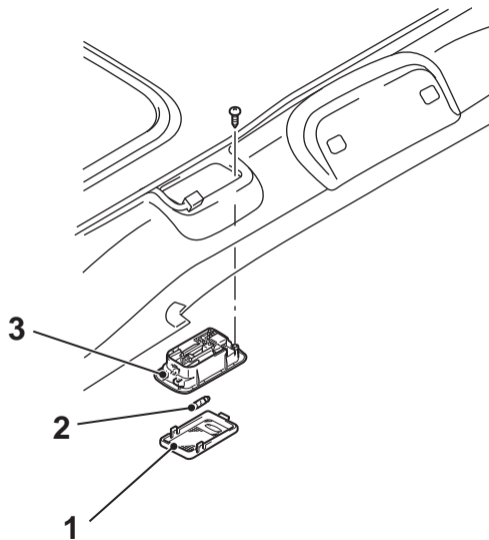


## Vehicles without dual A/C



## Vehicles with dual A/C

