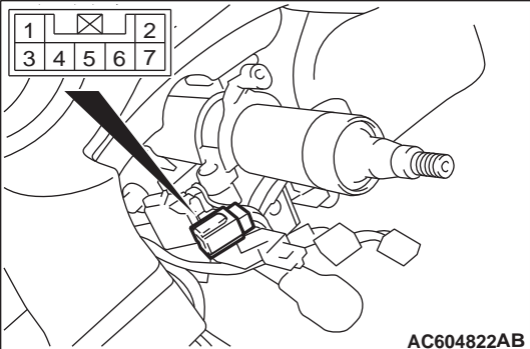


1		⊗		2
3	4	5	6	7



AC604822AB