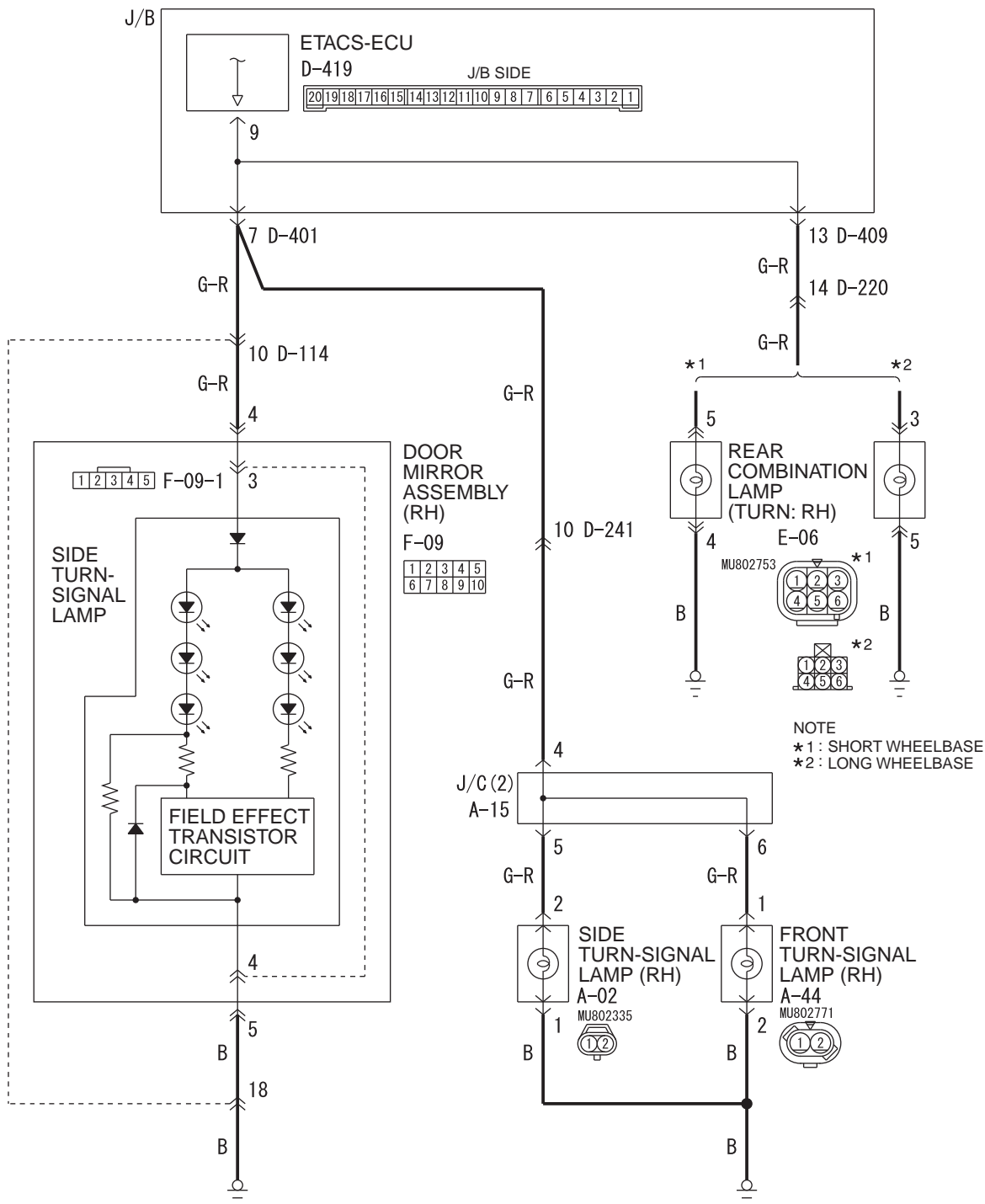


Right Turn-Signal Lamps Circuit <LHD>



Wire colour code

B: Black LG: Light green G: Green L: Blue W: White Y: Yellow SB: Sky blue
BR: Brown O: Orange GR: Grey R: Red P: Pink V: Violet PU: Purple