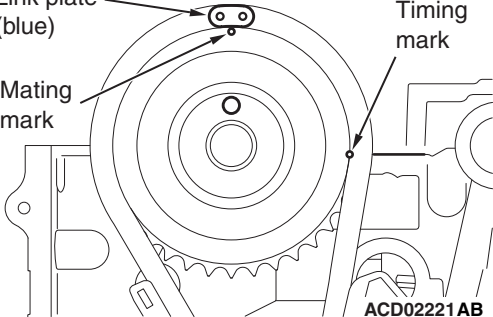


Link plate
(blue)

Timing
mark

Mating
mark



ACD02221 AB