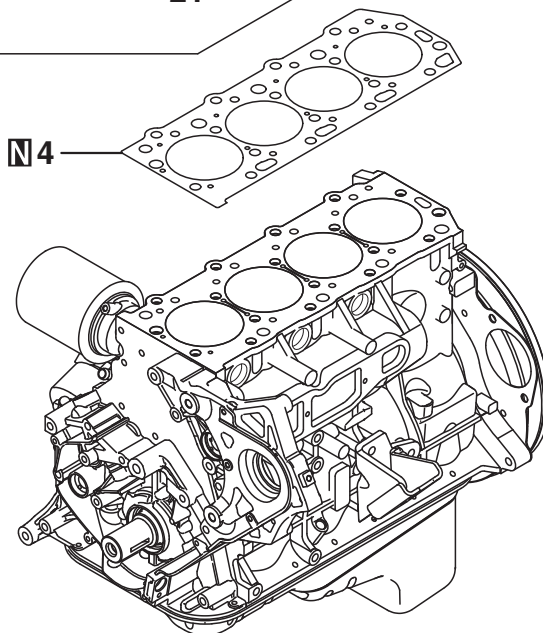
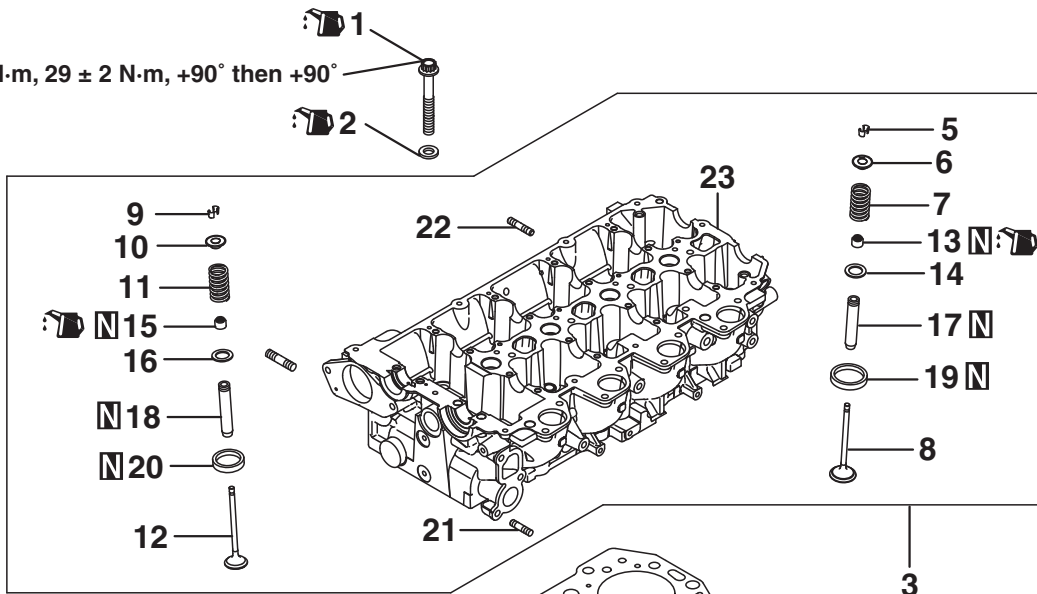


<Cold engine>

$78 \pm 2 \text{ N}\cdot\text{m}$, $0 \text{ N}\cdot\text{m}$, $29 \pm 2 \text{ N}\cdot\text{m}$, $+90^\circ$ then $+90^\circ$



Apply engine oil to
all moving parts
before installation.