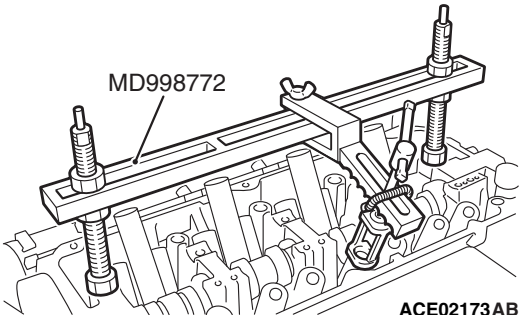


MD998772



ACE02173AB