
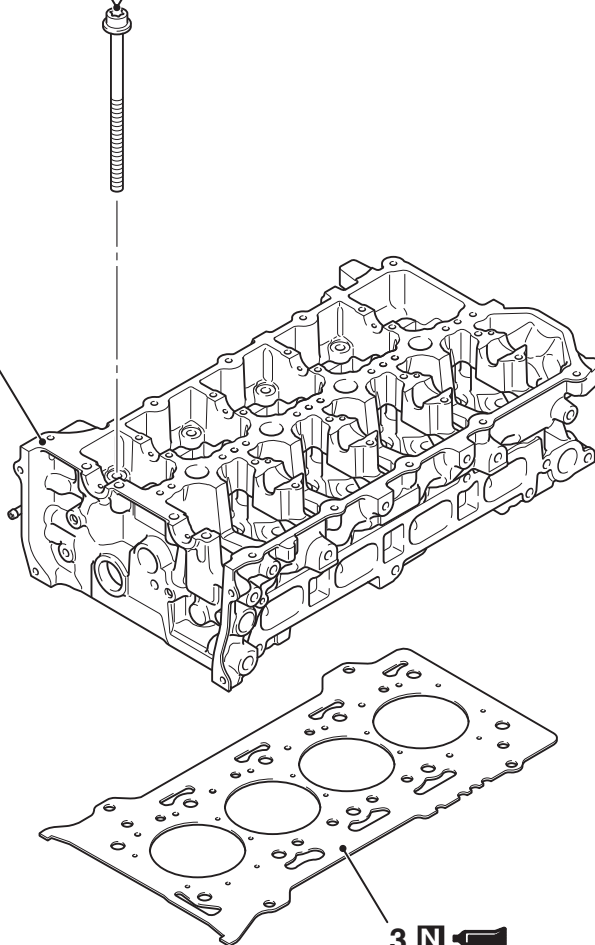


(Engine oil) :  **N 1**

<Cold engine>

$50 \pm 2 \text{ N}\cdot\text{m}$, $+90^\circ$, $+90^\circ$, $0 \text{ N}\cdot\text{m}$, $50 \pm 2 \text{ N}\cdot\text{m}$, $+90^\circ$, $+90^\circ$ then $+90^\circ$

2



3 **N** 