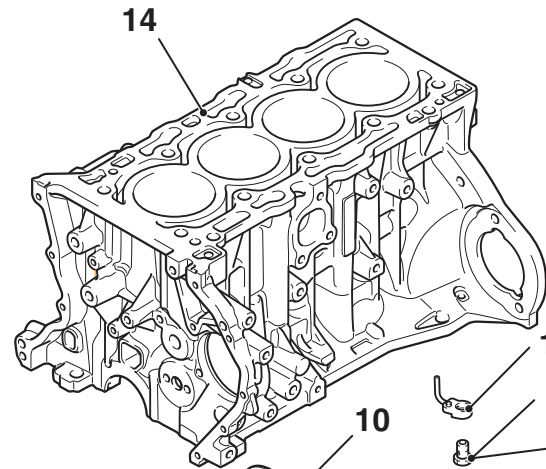
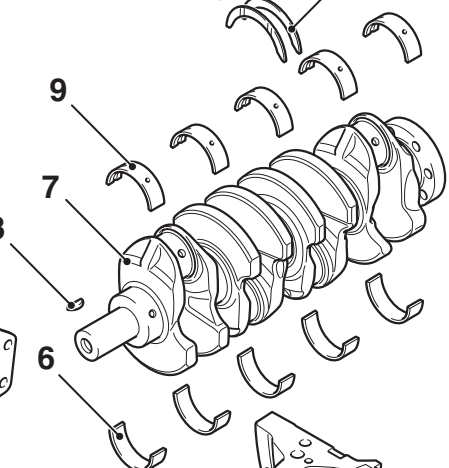
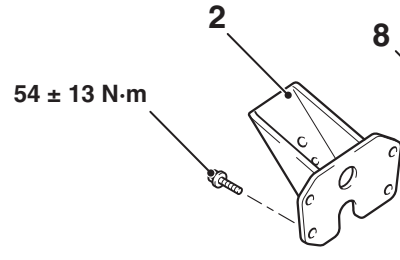
 Apply engine oil to all moving parts before installation.



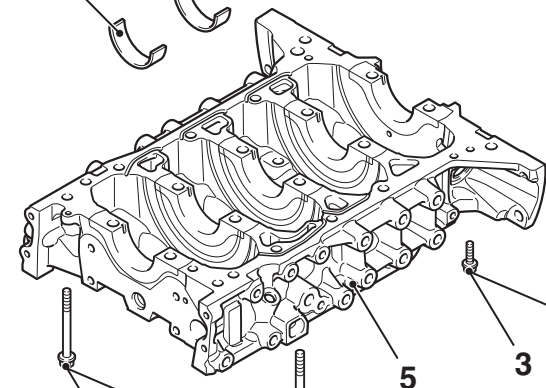
13
12
32 ± 2 N·m



11
11 ± 1 N·m




54 ± 13 N·m



26 ± 6 N·m

26 ± 6 N·m

65 ± 2 N·m
then +120° to 125°

4 :  (Engine oil)

1
54 ± 13 N·m