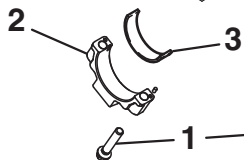
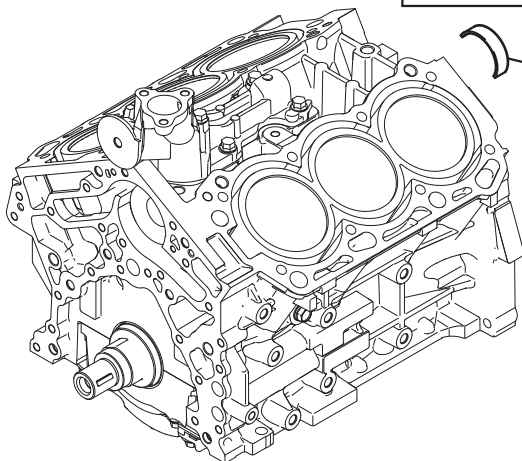
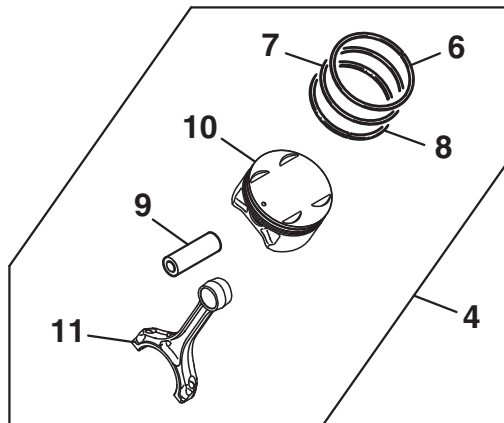




Apply engine oil to
all moving parts
before installation.



1 — 20 N·m then +90°