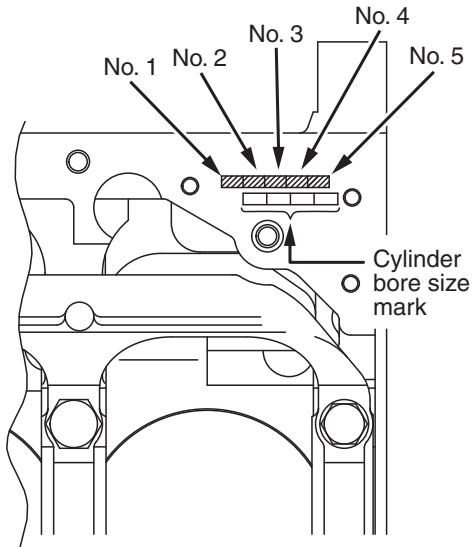


← Timing belt side

Diameter identification marks of bearing bores in cylinder block



AK304518AB