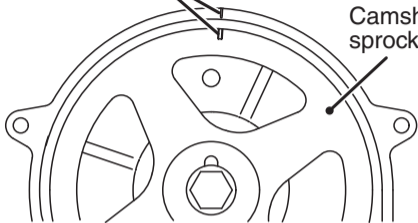


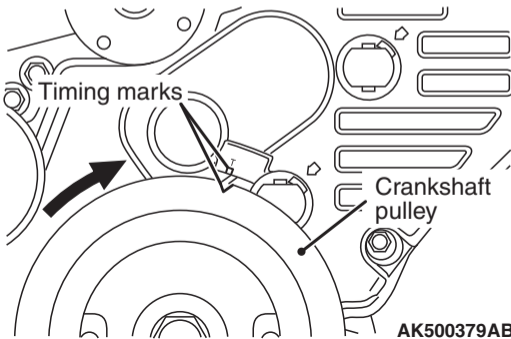
Timing marks

Camshaft sprocket



Timing marks

Crankshaft pulley



AK500379AB