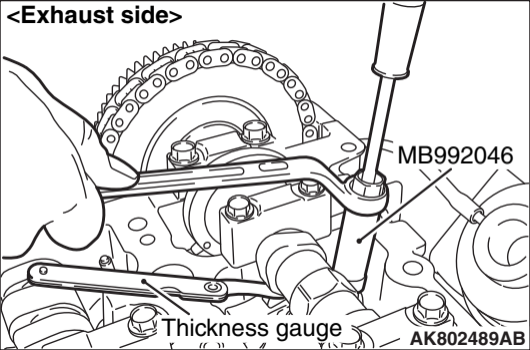


<Exhaust side>



MB992046

Thickness gauge

AK802489AB