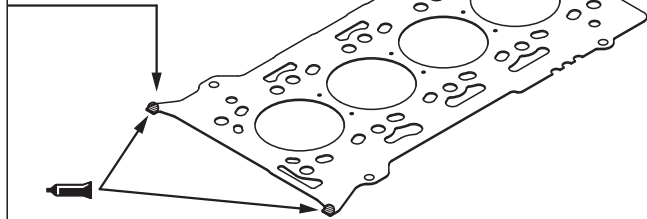
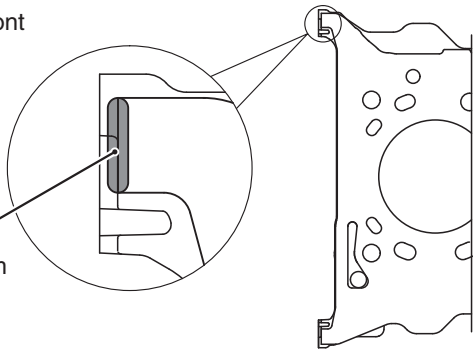


← Engine front

$\phi 2 - \phi 3$ mm



← Engine front

$\phi 2 - \phi 3$ mm

