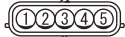
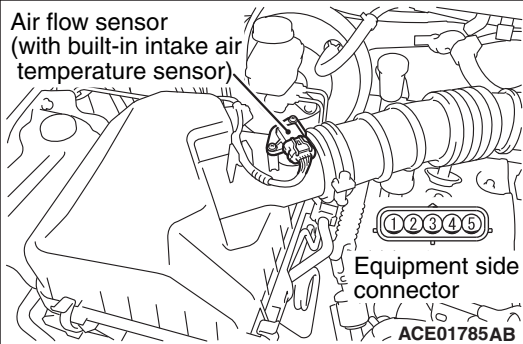


**Air flow sensor
(with built-in intake air
temperature sensor)**



**Equipment side
connector**

ACE01785AB