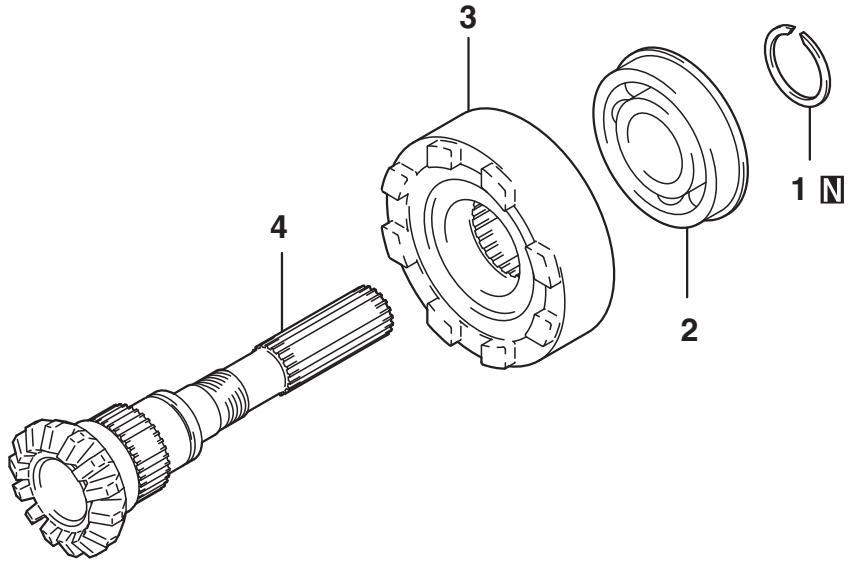




Apply gear oil to  
all moving parts  
before installation.



AK101106AC